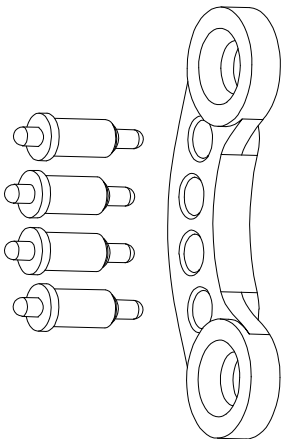
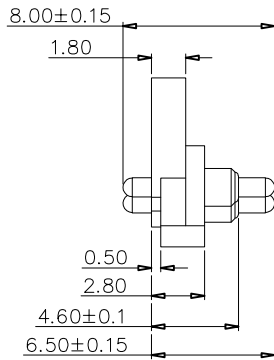
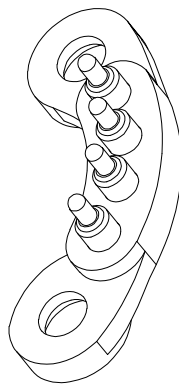
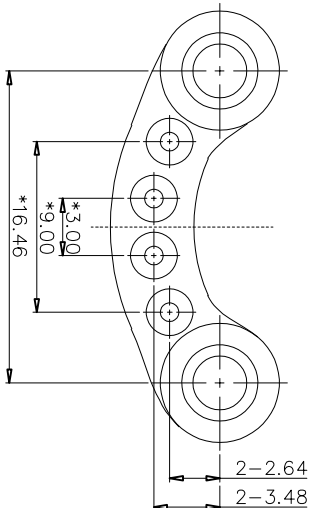
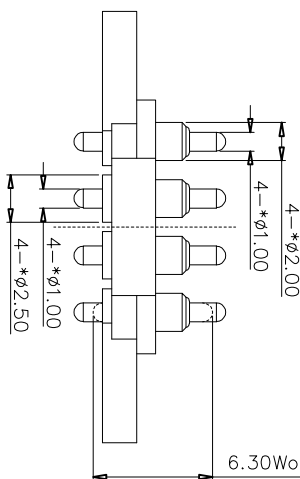
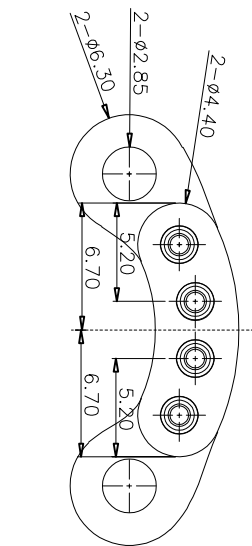


REV	ECN NO.	DETAILS	BY	DATE
1	AD	The new version was released	LZH	2022.1.7
2				
3				



NOTES:

- 1.0 Material: Housing: PA91
Spring: SUS304
Plunger: C3604
Barrel: C3604
- 2.0 Coating: Plunger: Exposed needle copper
150-300u" ternary alloy 200-300u" silver
200-300u" gold 10-25u" platinum 10-50u" /small
needle 5u" Ni50-100u"
Barrel: AU 10U" Ni50-100u"
- 3.0 Rated voltage: 12 volts
- 4.0 Rated current: 0.5A max
- 5.0 Contact resistance: 30ma max
- 6.0 Recommended work schedule & force:
 - 1) Stroke 0.7mm 25±5gf
- 7.0 Mechanical life:
 - 1) Mechanical life: 10,000 Cycles Min
- 8.0 Salt spray: 72H Min
- 9.0 Operating temperature range: -40~85°C
- 10.0 Mark "*" as the key dimension
- 11.0 Products must comply with the latest RoHS

Item	Part Name	Material	Finish	Q TY	Remark
4	Housing	PA9T	-	1pcs	-
3	Barrel	C3604	-	4pcs	-
2	Plunger	C3604	Exposed needle over point solution test	4pcs	-
1	Spring	SUS304	-	4pcs	-

*UNLESS OTHERWISE STATED
ALL DIMENSIONS ARE IN
MILLIMETRES
LINEAR TOLERANCE:
X±0.20 X±0.15 XX±0.10
X*±2° X*±0.5°
Pomogtor
Website: www.pomogtor.net

POMAGTOR
POGO PIN - 16 YEARS OF PROFESSIONAL
Magnetic connector - professional for customization

ITEM	DESCRIPTION	REV	SCALE	DRAWN BY	CHECKED BY	APPROV BY
S/N	pogopin connector 4PIN/M	A4	1			
R.D.S./N	RD90.LZH0220107-003		mm			
VEIW ANGLE		DATE				
		2022/1/7				
		SHEET				
		1 of 1				