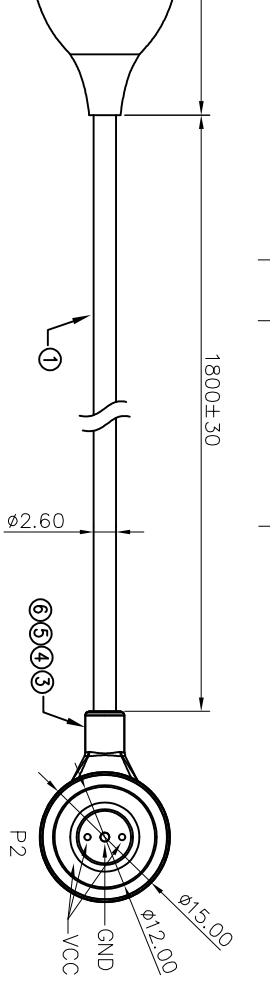
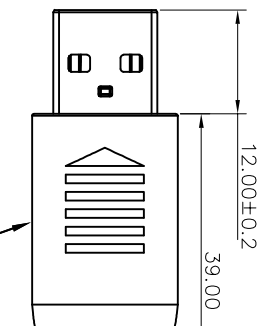
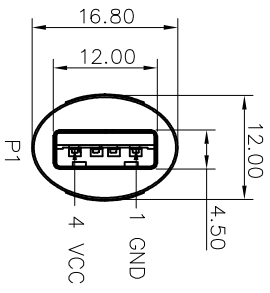


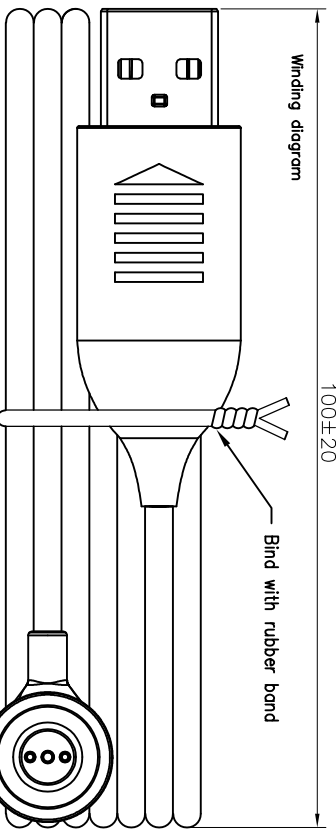
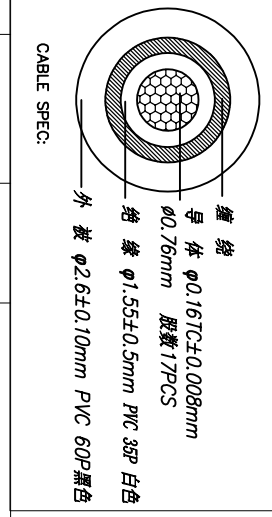
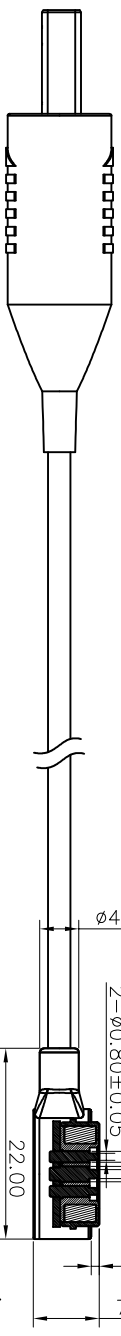
ROHS 2.0

REV	ECN NO.	DETAILS	BY	DATE
AO	—		Shen You Wu	2022.2.17
1				
2				



Wiring Table

P1	P2
1 GND	Wire core
4 VCC	Compilation line
	VCC



- 1.a.100% break/short test.
- a.On-resistance: 2a (max).
- b.Insulation resistance: 300V/DC 10MΩ(min).
- 2.Swing test: 200g lifting weight, ±60 degrees 30 times/min, 2000 times conduction OK.
- 3.Rated voltage (PIN contact): 12Volts
- 4.Rated current (PIN contact): 2A maximum
- 5.Working elastic single PIN:
- 1).Press stroke 0.8mm (PIN contact): 60gNMax
- 6.Life test:
- 1).Press stroke 0.8mm, 10,000 times (Min)
- 7.0 Operating temperature range: -30~85t
- 8.0 is marked with "*" as a key dimension.
- 9.0 Salt spray test 48H
- 10.0 USB A 2.0 Maximum insertion force 35N, Minimum pull-out force 10N, 5000 tests
- 11.0 Male and female to attract more than 200g of magnetic attraction

Item	Part Name	Q'TY	Material	Finish	Remarks
1	Wire rod	1.8m	PVC 60P	Black OD: φ2.6
2	USB A2.0 +EMC+PPTC	1pcs	Iron shell	Pin gold plating G / F Nickel-plated	Black
3	Internal mold	5g	LD-PE transparent
4	Outer mold	8g	White TPE 90A	Black
5	Connector	1pcs	2PIN-DL-9MM/M-2 connector	POGO PIN gold-plated 3u" Insulated spring, central pin plus conductive mushroom head	Black
6	PCB	1pcs	FR-4	2PIN-DL-9MM/M-2 round water cup PCB

*UNLESS OTHERWISE STATED ALL DIMENSIONS ARE IN MILLIMETERS
 LINEAR TOLERANCE:
 X:±0.20 X:±0.15 XX:±0.10
 X*.±2° X*.±0.5°**
 Pomagtor
 Website:www.pomagtor.net

POMAGTOR
 PROFESSIONAL CUSTOMIZATION SINCE 2007
 HIGH FREQUENCY POGO PIN MAGNETIC CONNECTOR

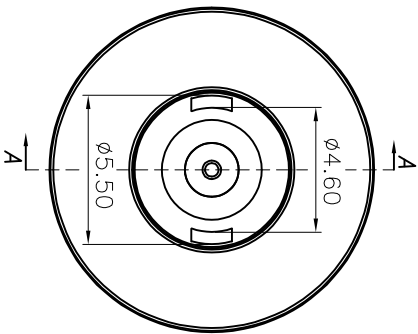
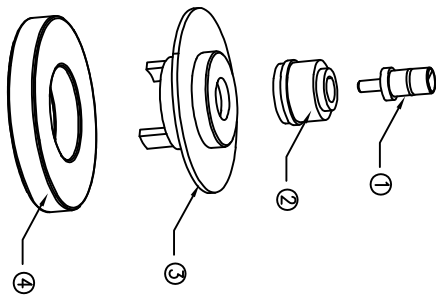
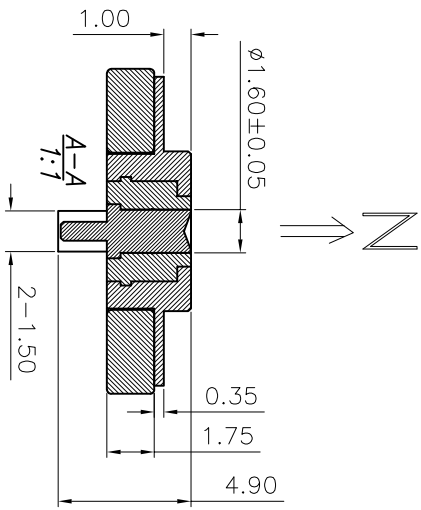
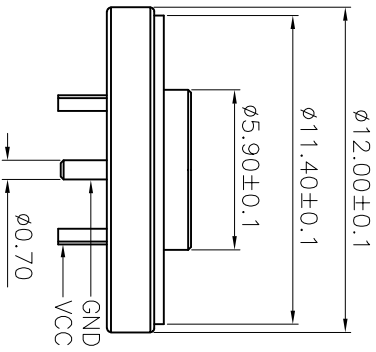
TITLE	REV	AO	DRAWN BY	CHECKED BY	APPROV BY
Magnetic wire for round water cup	AO				

SPEC	SCALE	UNIT	DATE	SHEET
2PIN-DL-9MM-2/M L=1.8MBlack	1	mm	22/3/24	1 of 1

Shen You Wu

ROHS 2.0

REV	ECN NO.	DETAILS	BY	DATE
AO	—		Shen You Wu	2022.2.17
1				
2				



Item	Part Name	Q'TY	Material	Finish	Remarks
4	Magnet	1pcs	N52	Nickel plated above 200u"	Ø12.0*ØD:5.8 *H:1.75
3	Copper shell	1pcs	C3604	Nickel plated above 120u"	Ø11.4*4.90
2	Rubber compound	3g	PA9T	Black
1	Pin	1pcs	C3604	PIN gold-plated 3u"	Ø1.5*4.80

- NOTES:
- 1.0 Rated voltage(Per Contact): 12 Volts
 - 2.0 Rated Current(Per Contact): 2A maximum
 - 3.0 Working Temperature Range: -30~85
 - 4.0 Turn≈40u"
 - 5.0 Male and female to attract more than 200g of magnetic attraction

*UNLESS OTHERWISE STATED
ALL DIMENSIONS ARE IN
MILLIMETERS
LINEAR TOLERANCE:
X±0.20 X±0.15 XX±0.10
X*.2° X*.50S**
Pomagtor
Website:www.pomagtor.net

POMAGTOR
PROFESSIONAL CUSTOMIZATION SINCE 2007
HIGH FREQUENCY POGO PIN MAGNETIC CONNECTOR

TITLE	REV	AO	DRAWN BY	CHECKED BY	APPROV BY
Magnetic connector					
SPEC	SCALE	UNIT	DATE		
2PM-DL-9MM-2/F	1	mm	22/2/17		
PART NO	DATE				
HY961.MF02030450-02	22/2/17				
VEIW ANGLE	SHEET				
	1 of 1				

Shen You Wu

ED