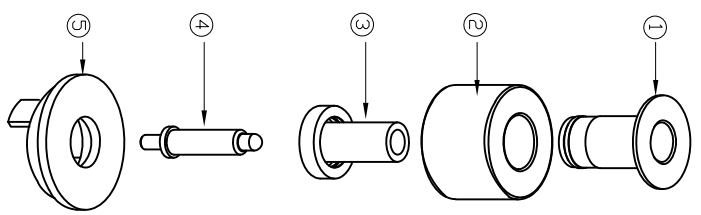
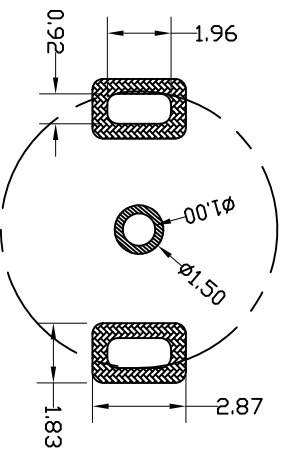
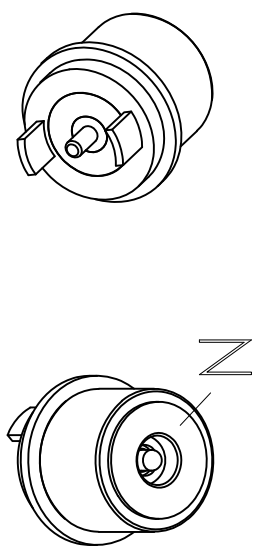
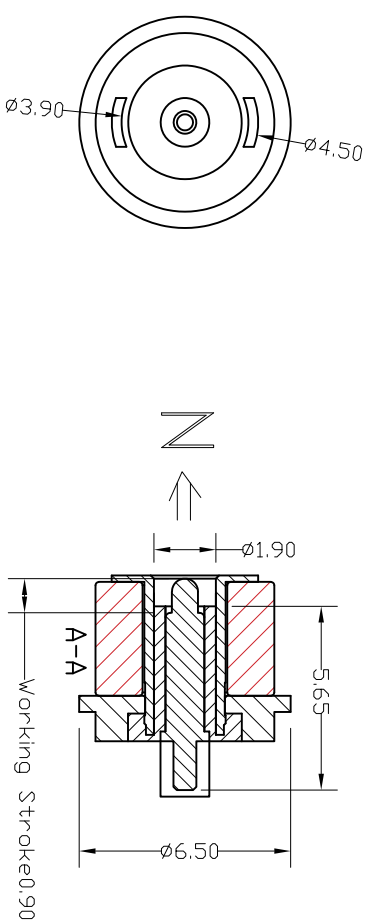
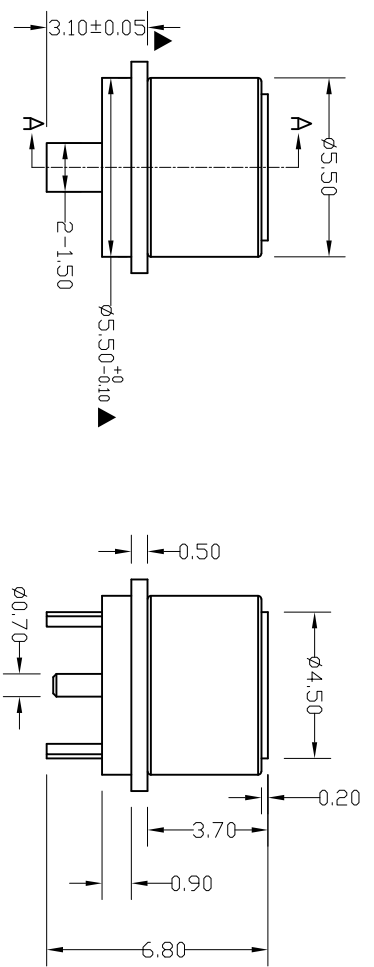


REV	ECN NO.	DETAILS	BY	DATE
1				
2				
3				



NOTES:
 1.0 Rated voltage(Per Contact):5 Volts
 2.0 Rated Current(Per Contact):2A maximum
 3.0 Working Temperature Range: -30~85 °C
 4.0 "▲"For key control dimensions.
 5.0 1um≈40u"

Item	Part Name	Q'TY	Material	Finish	Remarks
1	Front shell	1pcs	SUS316L	Ø4.5*4.90
2	Magnet	1pcs	NS2	Nickel 3.0um min plated	Ø5.5*3.50
3	Rubber compound	3g	PA9T	Black
4	POGO Pin	1pcs	Leaded Brass	Gold 0.075um min plated over 1.25~3.0um Nickel	Ø1.5*6.50
5	Back shell	1pcs	HB159-1	Nickel 5.0um min plated	Ø6.5*3.10

*UNLESS OTHERWISE STATED ALL DIMENSIONS ARE IN MILLIMETRES
 LINEAR TOLERANCE:
 X:±0.20 X:±0.15 XX:±0.10
 X*:±2° X*:±0.5°**
 Pomagtor
 Website:www.pomagtor.net

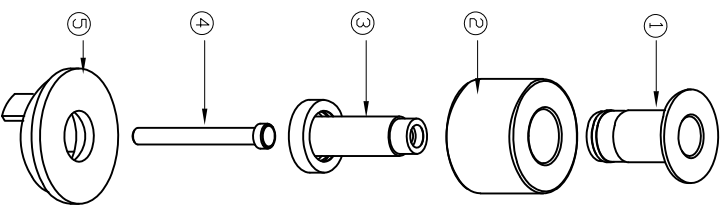
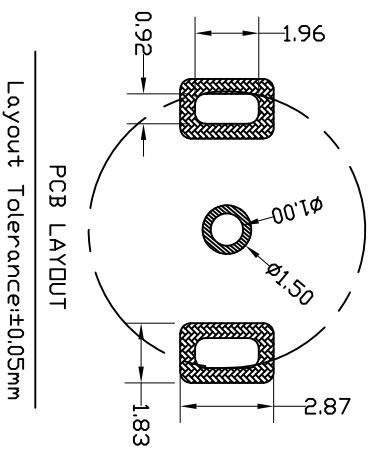
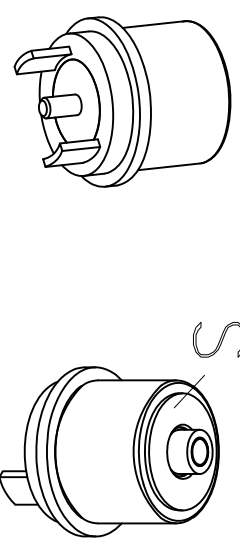
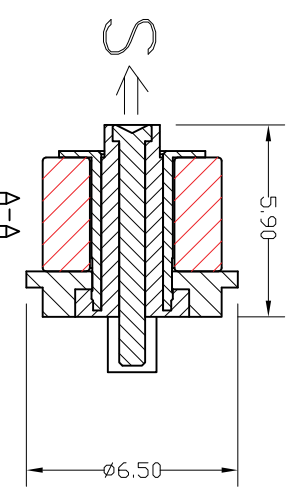
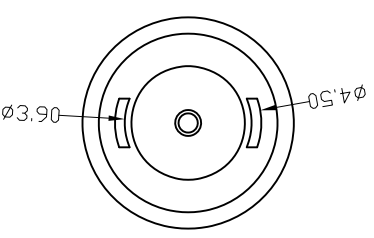
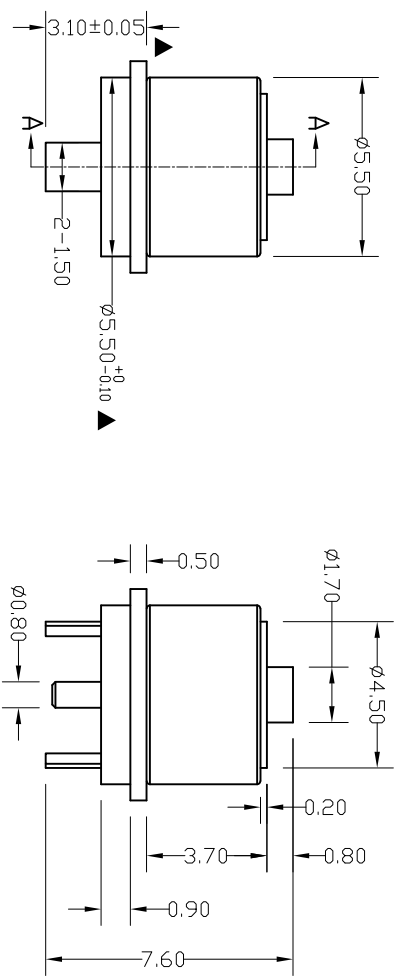
POMAGTOR
 POGO PIN - 16 YEARS OF PROFESSIONAL
 Magnetic connection- professional for customization

TITLE	REV	SCALE	REV	A0	DRAWN BY	CHECKED BY	APPROVED BY
Circular magnetic connector		1			HJH	HXH	QS.G
SPEC		1					
PART NO	RD91.HHJ0210320-007	mm	DATE	21/03/19			
VEIW ANGLE		SHEET	1 of 1				

REV	ECN NO.	DETAILS	BY	DATE
1				
2				
3				

NOTES:

- 1.0 Rated voltage(Per Contact): 5 Volts
- 2.0 Rated Current(Per Contact): 2A maximum
- 3.0 Working Temperature Range: -30~85°C
- 4.0 "▲" For key control dimensions.
- 5.0 1um ≈ 40u"



Item	Part Name	Q'TY	Material	Finish	Remarks
1	Front shell	1pcs	SUS316L	04.5*4.90
2	Magnet	1pcs	N52	Nickel 3.0um min plated	05.5*3.50
3	Rubber compound	3g	PA9T	Black
4	Pin	1pcs	Leaded Brass	Gold 0.075um min plated over 1.25~3.0um Nickel	01.5*7.40
5	Back shell	1pcs	HB159-1	Nickel 5.0um min plated	06.5*3.10

*UNLESS OTHERWISE STATED
ALL DIMENSIONS ARE IN
MILLIMETRES
LINEAR TOLERANCE:
X:±0.20, Y:±0.15, XX:±0.10
X*:±2°, X*:±0.5°
Pomagtor
Website:www.pomagtor.net

POMAGTOR
POGO PIN - 16 YEARS OF PROFESSIONAL
Magnetic connection- professional for customization

TITLE	REV	SCALE	DRAWN BY	CHECKED BY	APPROVED BY
Circular magnetic connector	A0	1	HJH	HXH	QS.G
SPEC	RD91.HHJ0210320-008	mm			
PART NO					
VEIW ANGLE		DATE			
		21/03/19			
		SHEET			
		1 of 1			