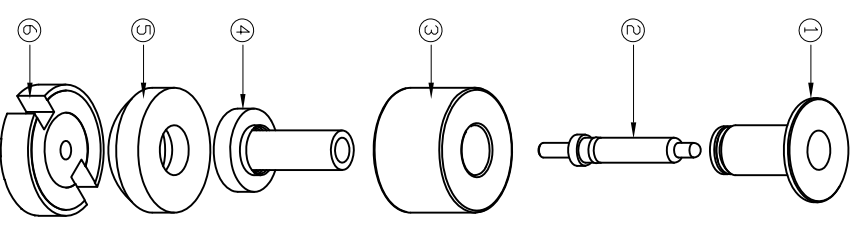
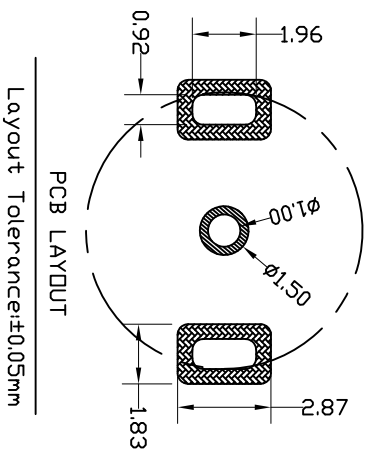
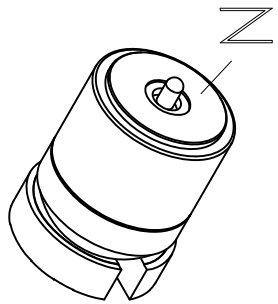
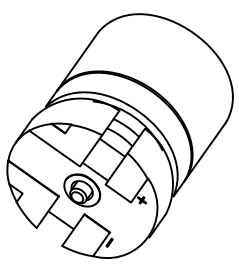
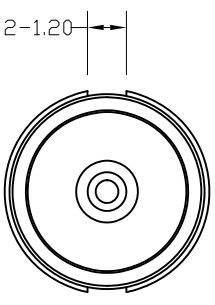
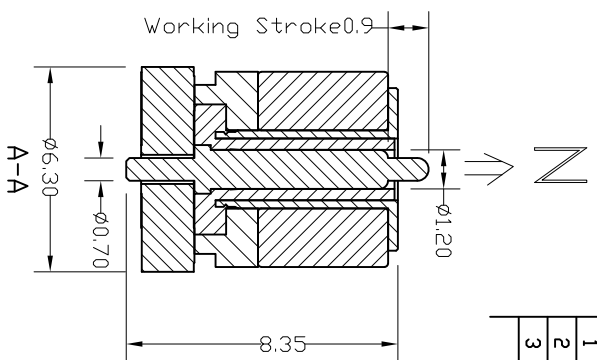
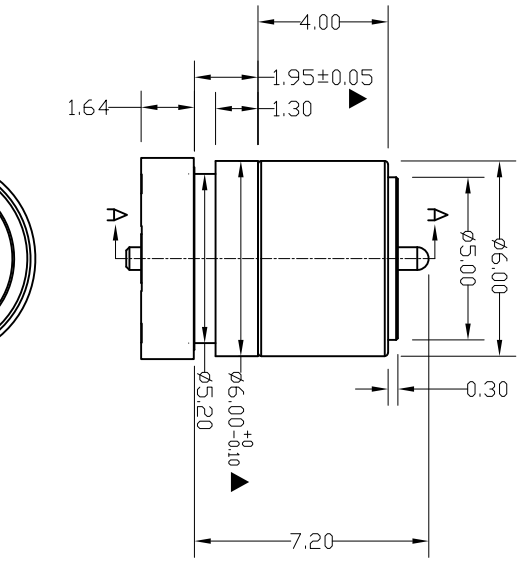


REV	ECN NO.	DETAILS	BY	DATE
1				
2				
3				

- NOTES:
- 1.0 Rated voltage(Per Contact):5 Volts
 - 2.0 Rated Current(Per Contact):1A maximum
 - 3.0 Working Temperature Range: -30~85℃
 - 4.0 "▲"For key control dimensions.
 - 5.0 1um≈40u"



Item	Part Name	Q'TY	Material	Finish	Remarks
1	Front shell	1pcs	SUS316L	φ5.0*5.6
2	PIGGO Pin	1pcs	Leaded Brass	Gold 0.075um min plated over 1.25~3.0um Nickel	φ1.5*9.3
3	Magnet	1pcs	NS2	Nickel 3.0um min plated	φ6.0*4.0
4	Rubber compound	3g	PA9T	Black
5	Back shell	1pcs	C3604	Nickel 5.0um min plated	φ6.0*1.95
6	PCB	1pcs	FR-4	5V 1A

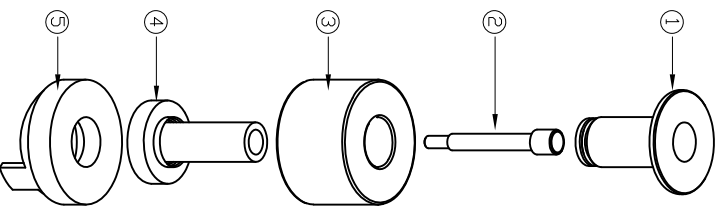
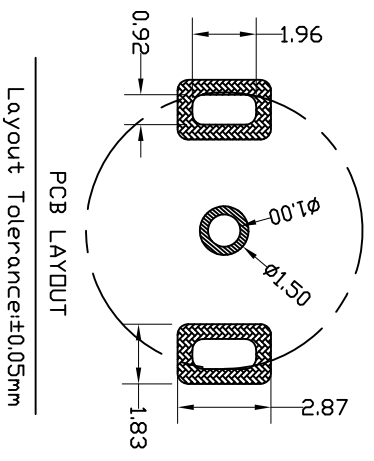
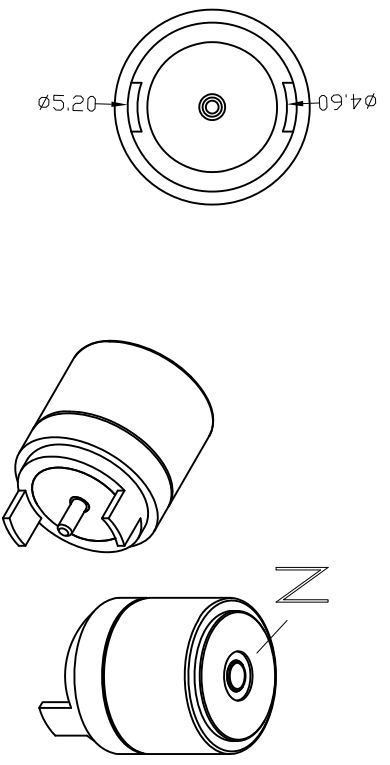
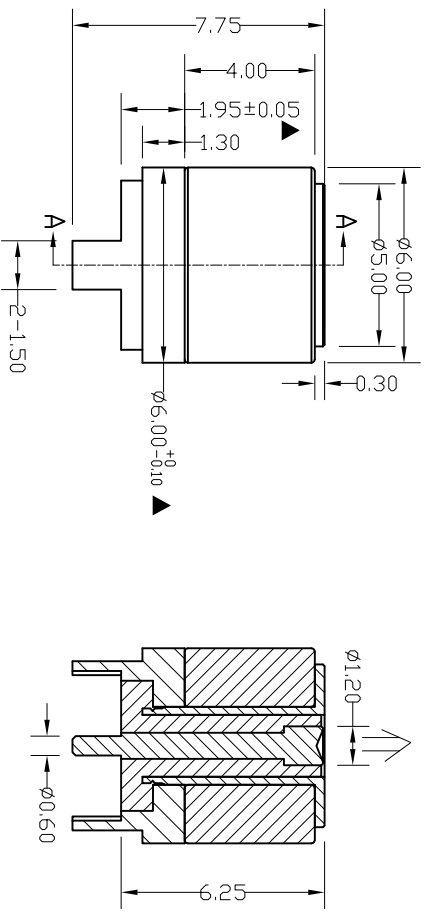
*UNLESS OTHERWISE STATED
ALL DIMENSIONS ARE IN
MILLIMETRES
LINEAR TOLERANCE:
X:±0.20 X:±0.15 XX:±0.10
X*:±2° X*:±0.5°
Pomagtor
Website:www.pomagtor.net

POMAGTOR
POGO PIN - 16 YEARS OF PROFESSIONAL
Magnetic connection-professional for customization

TITLE	REV	SCALE	DATE	BY	CHECKED	APPROVED
Circular magnetic connector	A0	1	21/03/23	HJH	HXH	QS.G
SPEC	6.0mm-2PIN-3 /M	mm				
PART NO	RD91.HHJ0210323-001					
VEIW ANGLE		SHEET	1 of 1			

REV	ECN NO.	DETAILS	BY	DATE
1				
2				
3				

- NOTES:
- 1.0 Rated voltage(Per Contact):5 Volts
 - 2.0 Rated Current(Per Contact):1A maximum
 - 3.0 Working Temperature Range: -30~85℃
 - 4.0 "▲"For key control dimensions.
 - 5.0 1um≈40u"



Item	Part Name	Q'TY	Material	Finish	Remarks
1	Front shell	1pcs	SUS316L	ø5.0*5.6
2	Pin	1pcs	Leaded Brass	Gold 0.075um min plated over 1.25~3.0um Nickel	ø1.2*7.7
3	Magnet	1pcs	NS2	Nickel 3.0um min plated	ø6.0*4.0
4	Rubber compound	3g	PA9T	Black
5	Back shell	1pcs	C3604	Nickel 5.0um min plated	ø6.0*3.45

*UNLESS OTHERWISE STATED
ALL DIMENSIONS ARE IN
MILLIMETRES
LINEAR TOLERANCE:
X:±0.20, Y:±0.15, XX:±0.10
X':±2°, X':±0.5°
Pomagtor
Website:www.pomagtor.net

POMAGTOR
POGO PIN - 16 YEARS OF PROFESSIONAL
Magnetic connection-professional for customization

TITLE	REV	SCALE	DATE	BY	CHECKED	APPROVED
Circular magnetic connector	A0	1	21/03/23	HJH	HXH	QS.G
SPEC	6.0mm-2PIN-3 /F	mm				
PART NO	RD91HHJ0210323-002					
VEIW ANGLE		SHEET	1 of 1			