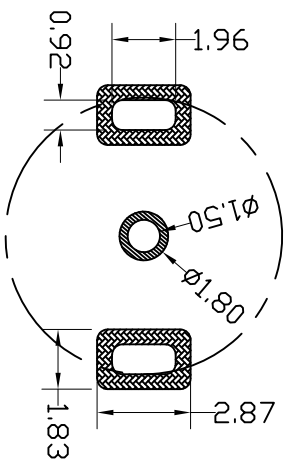
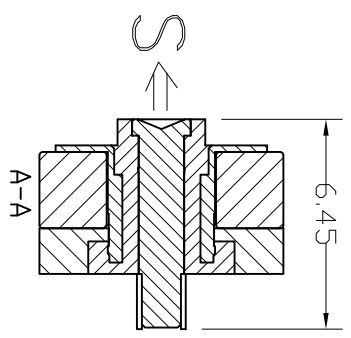
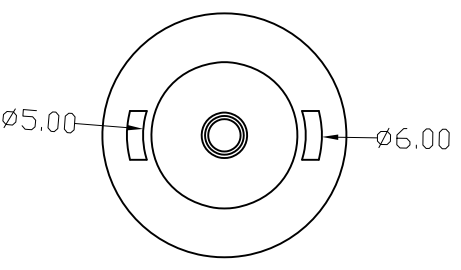
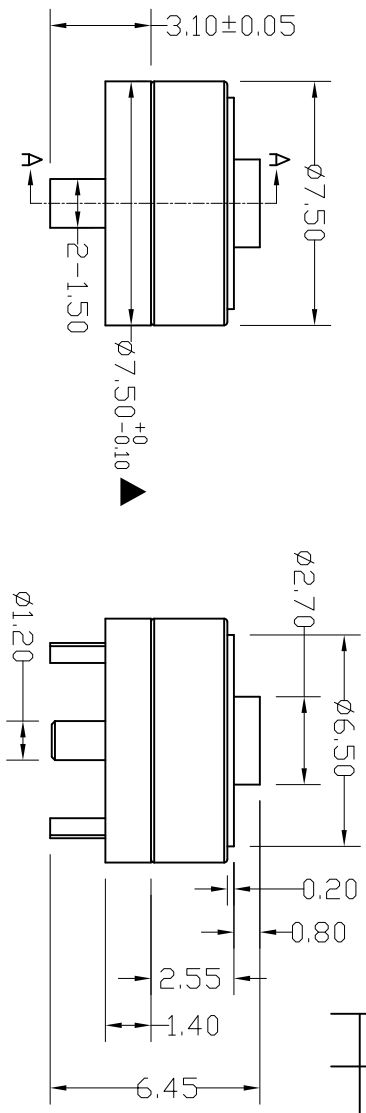
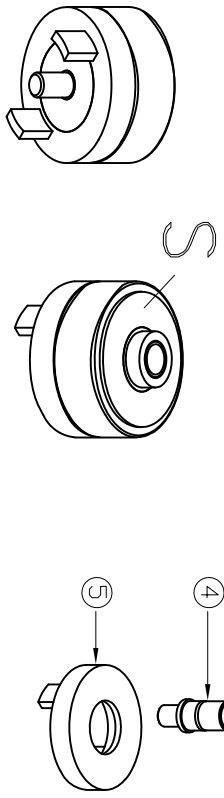


REV	ECN NO.	DETAILS	BY	DATE
1				
2				
3				

- NOTES:
- 1.0 Rated voltage(Per Contact):5 Volts
  - 2.0 Rated Current(Per Contact):3A maximum
  - 3.0 Working Temperature Range: -30~85℃
  - 4.0 "▲"For key control dimensions.
  - 5.0 1um ≈40u"



PCB LAYOUT  
Layout Tolerance:±0.05mm



Item	Part Name	Q'TY	Material	Finish	Remarks
1	Front shell	1pcs	SUS316L	.....	ø6.5*3.60
2	Magnet	1pcs	N52	Nickel 30um min plated	ø7.5*2.35
3	Rubber compound	3g	PA9T	.....	Black
4	Pin	1pcs	Leaded Brass	Gold 0.075um min plated over 1.25~3.0um Nickel	ø1.8*6.40
5	Back shell	1pcs	HBI59-1	Nickel 5.0um min plated	ø7.5*3.10

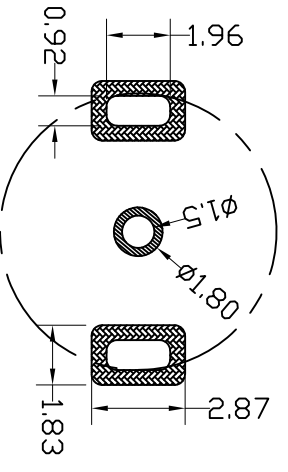
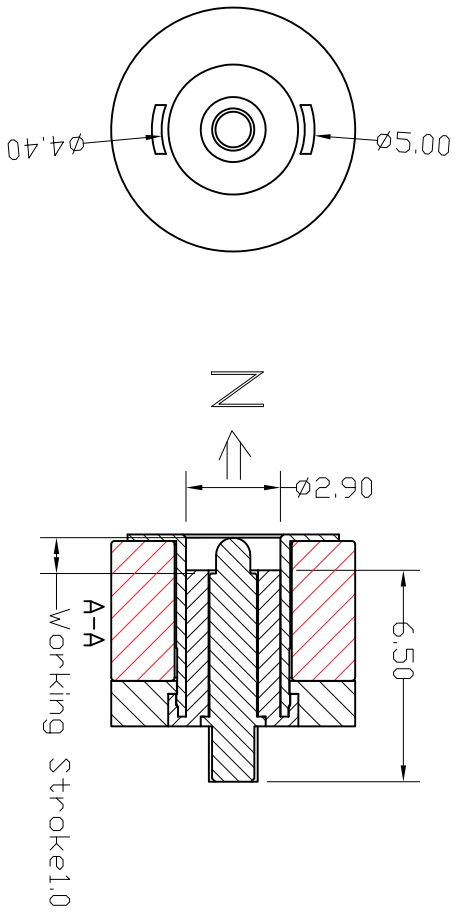
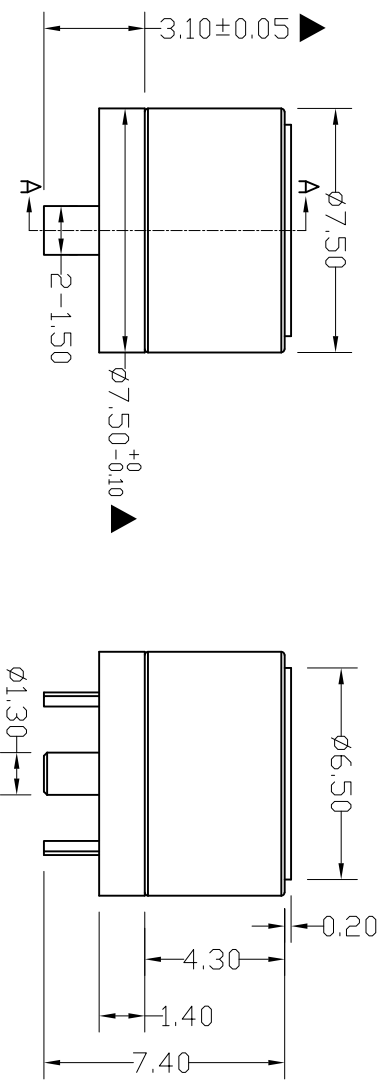
\*UNLESS OTHERWISE STATED ALL DIMENSIONS ARE IN MILLIMETRES  
LINEAR TOLERANCE:  
X:±0.20 X:±0.15 XX:±0.10  
X:±2° X:±0.5°  
Pomagtor  
Website:www.pomagtor.net

**POMAGTOR**  
16 YEARS OF PROFESSIONAL  
Magnetic connection-professional for customization

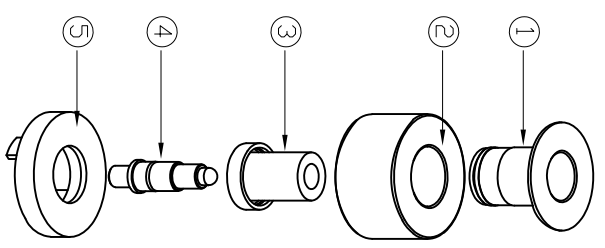
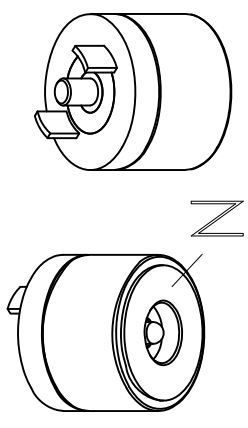
TITLE	REV	SCALE	DATE	BY	CHECKED	APPROVED
Circular magnetic connector 7.5mm-2PIN-1/7 Without skirt	A0	1	21/03/19	HJH	HXH	QS.G
PART NO	RD91.HHJ0210320-004	UNIT	mm			
VEIW ANGLE		SHEET	1 of 1			

REV	ECN NO.	DETAILS	BY	DATE
1				
2				
3				

- NOTES:
- 1.0 Rated voltage(Per Contact):5 Volts
  - 2.0 Rated Current(Per Contact):3A maximum
  - 3.0 Working Temperature Range: -30~85°C
  - 4.0 "▲"For key control dimensions.
  - 5.0 1um ≈40u"



PCB LAYOUT  
Layout Tolerance:±0.05mm



5	Back shell	1pcs	HBI59-1	Nickel 5.0um min plated	∅7.5*3.10	
4	POGO Pin	1pcs	Leaded Brass	Gold 0.075um min plated over 1.25~3.0um Nickel	∅2.0*7.50	
3	Rubber compound	3g	PA9T	.....	Black	
2	Magnet	1pcs	N52	Nickel 30um min plated	∅7.5*4.30	
1	Front shell	1pcs	SUS316L	.....	∅6.5*5.60	
Item	Part Name	Q'TY	Material	Finish	Remarks	

\*UNLESS OTHERWISE STATED ALL DIMENSIONS ARE IN MILLIMETRES  
LINEAR TOLERANCE:  
X:±0.20 X:±0.15 XX:±0.10  
X\*:±2° X\*:±0.5°\*\*  
Pomagtor  
Website:www.pomagtor.net

**POMAGTOR**  
POGO PIN - 16 YEARS OF PROFESSIONAL  
Magnetic connection-professional for customization

TITLE	REV	SCALE	DATE	DATE	DATE
Circular magnetic connector 7.5mm-2PIN-17M Without skirt	A0	1	21/03/19		
PART NO	RD91.HHJ0210320-005	UNIT	mm		
VEIW ANGLE		SHEET	1 of 1		

DRAWN BY: HJH  
CHECKED BY: HXH  
APPROVED BY: QS.G