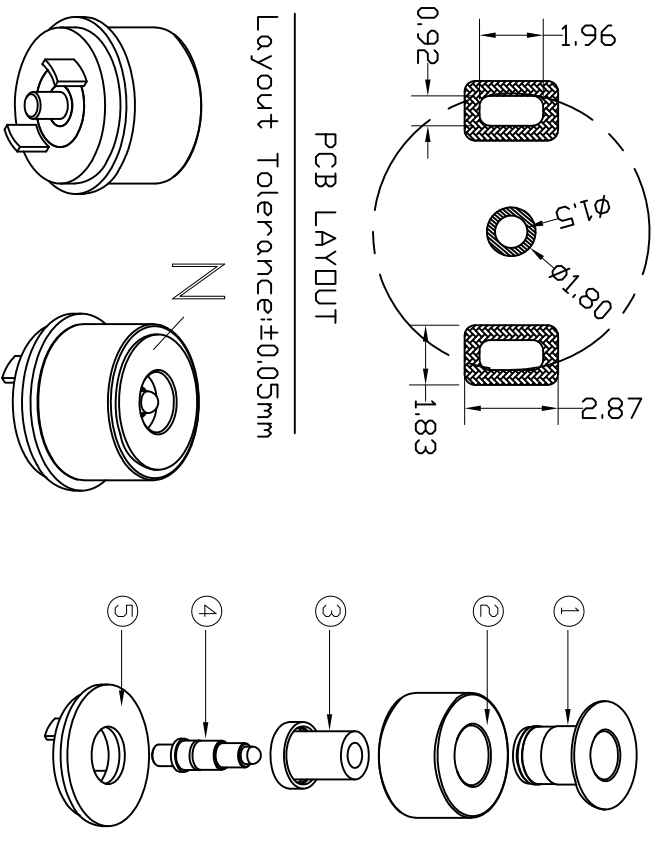
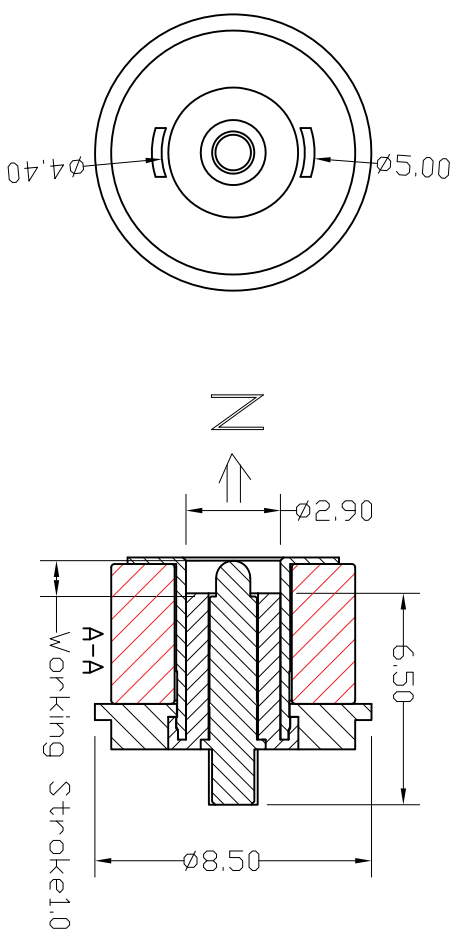
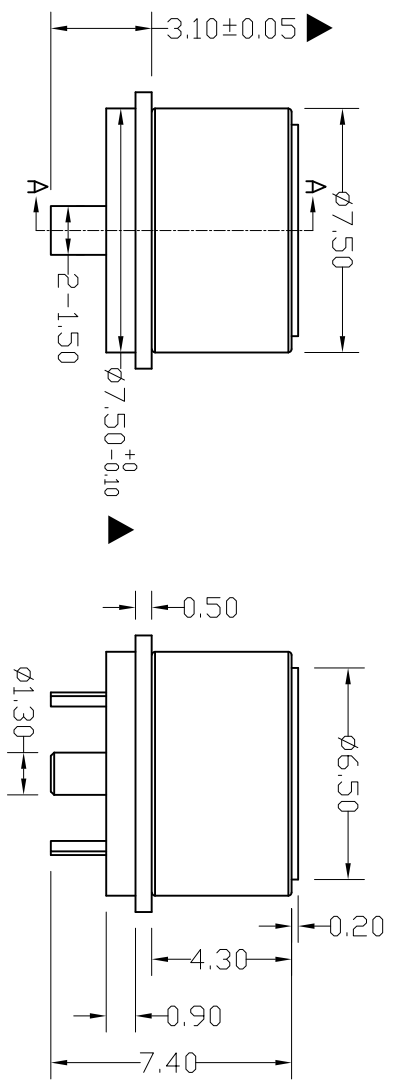


REV	ECN NO.	DETAILS	BY	DATE
1				
2				
3				



Item	Part Name	Q'TY	Material	Finish	Remarks
1	Front shell	1pcs	SUS316L	ø6.5*5.60
2	Magnet	1pcs	N52	Nickel 30um min plated	ø7.5*4.30
3	Rubber compound	3g	PA9T	Black
4	POGO Pin	1pcs	Leaded Brass	Gold 0.075um min plated over 1.25~3.0um Nickel	ø2.0*7.50
5	Back shell	1pcs	HBI59-1	Nickel 5.0um min plated	ø8.5*3.10

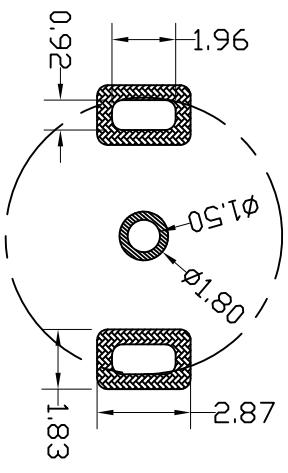
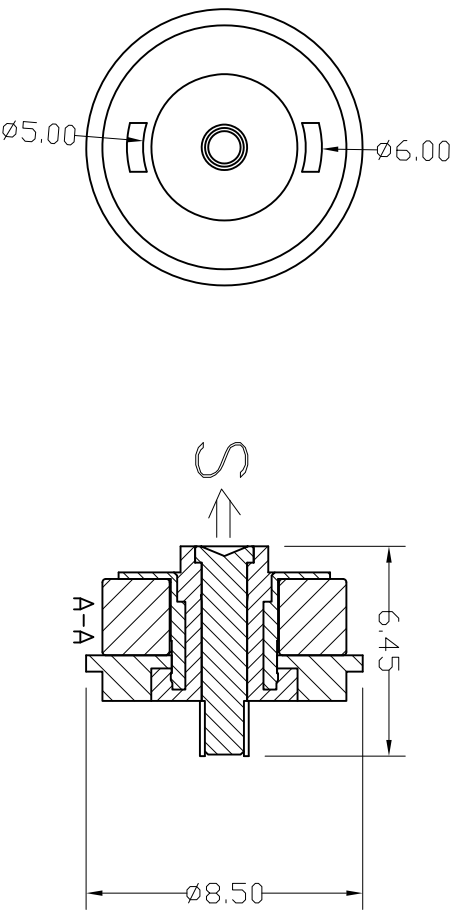
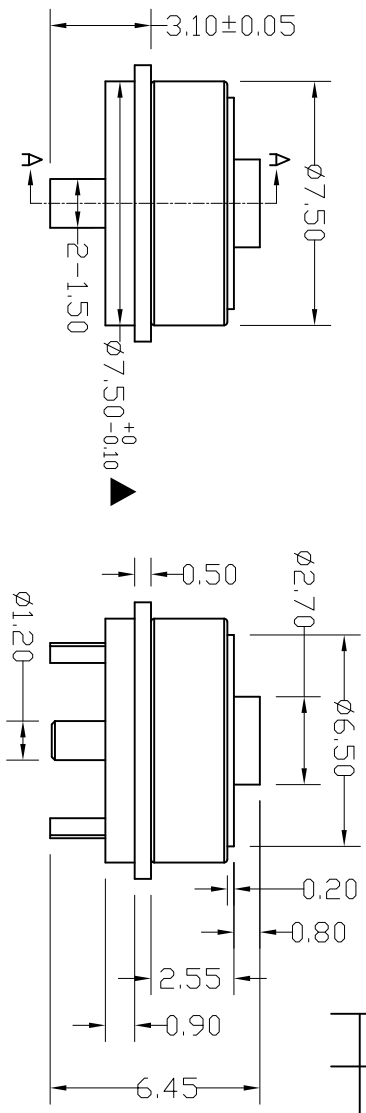
*UNLESS OTHERWISE STATED ALL DIMENSIONS ARE IN MILLIMETRES
 LINEAR TOLERANCE:
 X:±0.20 X:±0.15 XX:±0.10
 X*:±2° X*:±0.5°**
 Pomaqtor
 Website: www.pomaqtor.net

POMAGTOR
 POGO PIN - 16 YEARS OF PROFESSIONAL
 Magnetic connection- professional for customization

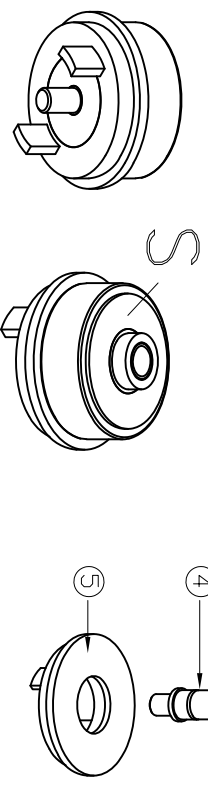
TITLE	Circular magnetic connector	REV	A0	DRAWN	CHECKED	APPROVED
SPEC	7.5mm-2PIN-1 /M	SCALE	1	BY	BY	BY
PART NO	RD91.HHJ0210320-003	UNIT	mm	HJH	HXH	QS.G
VIEW ANGLE		DATE	21/03/19			
		SHEET	1 of 1			

REV	ECN NO.	DETAILS	BY	DATE
1				
2				
3				

- NOTES:
- 1.0 Rated voltage(Per Contact):5 Volts
 - 2.0 Rated Current(Per Contact):3A maximum
 - 3.0 Working Temperature Range: -30~85°C
 - 4.0 "▲"For key control dimensions.
 - 5.0 1um ≈40u"



PCB LAYOUT
Layout Tolerance:±0.05mm



Item	Part Name	Q'TY	Material	Finish	Remarks
1	Front shell	1pcs	SUS316L	ø6.5*3.60
2	Magnet	1pcs	N52	Nickel 3.0um min plated	ø7.5*2.35
3	Rubber compound	3g	PA9T	Black
4	Pin	1pcs	Leaded Brass	Gold 0.075um min plated over 1.25~3.0um Nickel	ø1.8*6.40
5	Back shell	1pcs	HBI59-1	Nickel 5.0um min plated	ø8.5*3.10

*UNLESS OTHERWISE STATED
ALL DIMENSIONS ARE IN
MILLIMETRES
LINEAR TOLERANCE:
X:±0.20, Y:±0.15, XX:±0.10
X':±2°, X':±0.5°
Pomagtor
Website:www.pomagtor.net

POMAGTOR
16 YEARS OF PROFESSIONAL
Magnetic connection-professional for customization

TITLE	Circular magnetic connector	REV	A0	DRAWN	CHECKED	APPROVED
SPEC	7.5mm-2PIN-1 /F	SCALE	1	BY	BY	BY
PART NO	RD91.HHJ0210320-002	UNIT	mm	HJH	HXH	QS.G
VIEW ANGLE		DATE	21/03/19			
		SHEET	1 of 1			