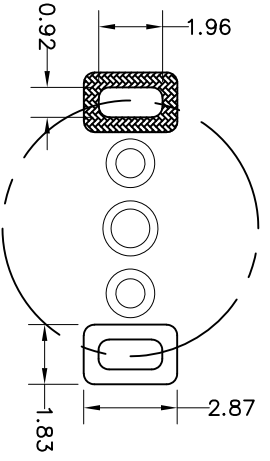
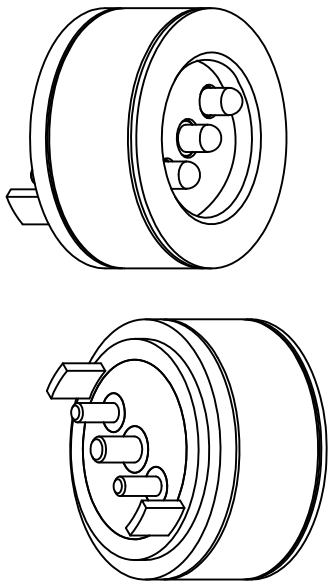
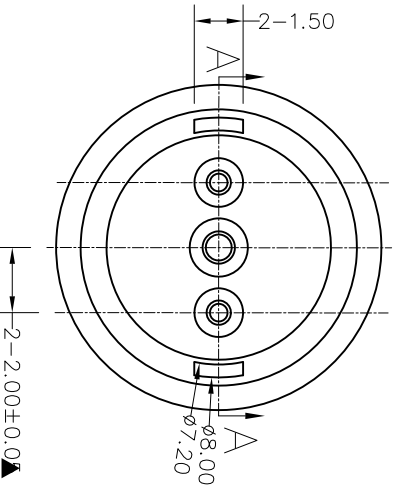
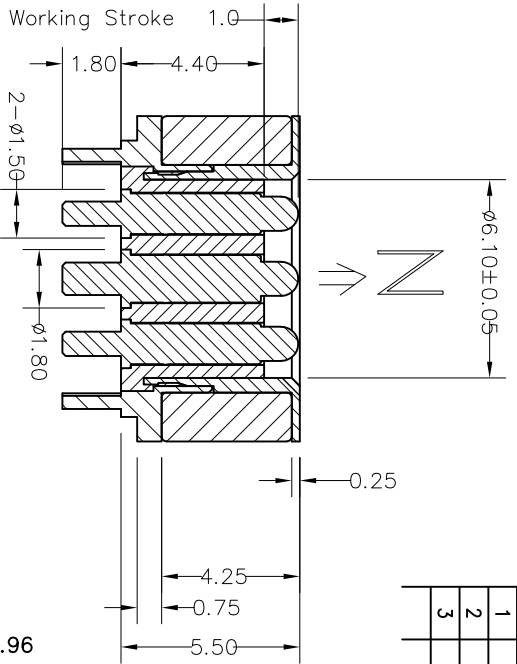
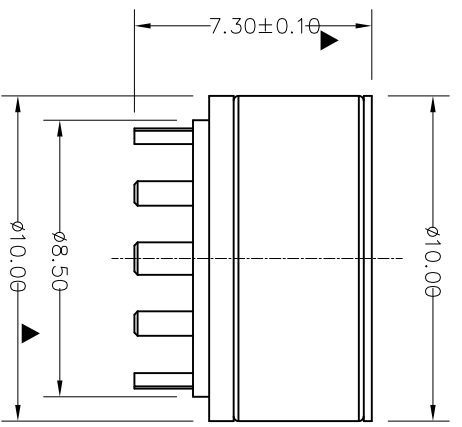


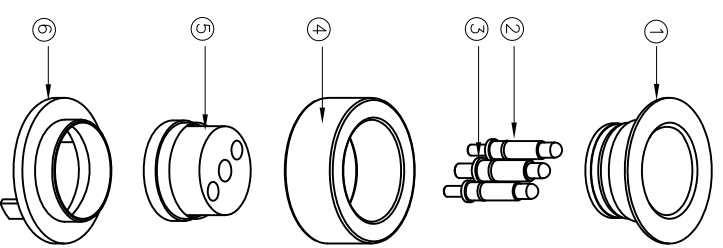
REV	ECON NO.	DETAILS	BY	DATE
1				
2				
3				

NOTES:

- 1.0 Rated voltage(Per Contact):5 Volts
- 2.0 Rated Current(Per Contact):2A maximum
- 3.0 Working Temperature Range: -30~85 °C
- 4.0 "▲"For key control dimensions.
- 5.0 1um~40u"



PCB LAYOUT
Layout Tolerance: ±0.05mm



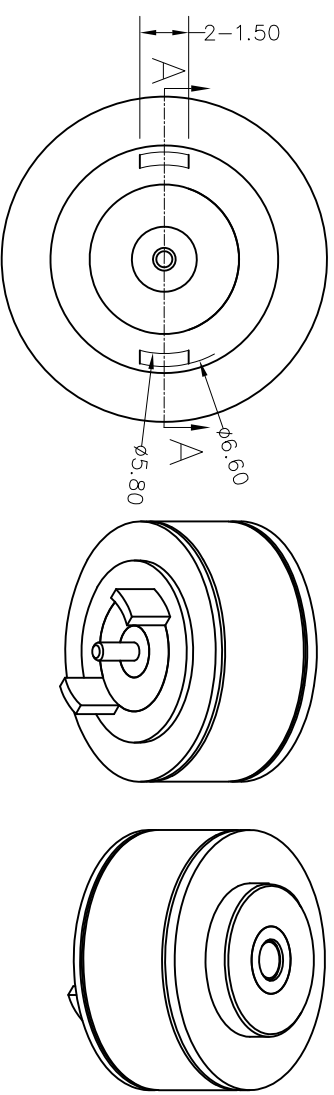
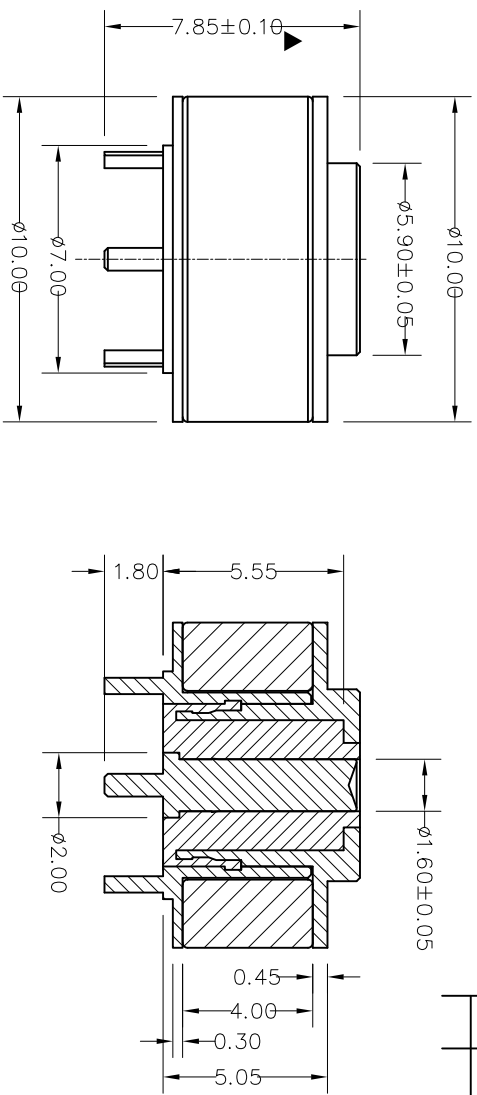
Item	Part Name	QTY	Material	Finish	Remarks
1	Back shell	1pcs	C3604	Nickel 5.0um min plated	∅10.0*4.50
2	Rubber compound	3g	PA9T	Black
3	Magnet	1pcs	N52	Nickel 5.0um min plated	∅10.0*4.0*∅7.0
4	POGO Pin	1pcs	Laded Brass	Gold 0.075um min plated over 1.25~3.0um Nickel	∅1.8*7.65
5	POGO Pin	2pcs	Laded Brass	Gold 0.075um min plated over 1.25~3.0um Nickel	∅1.5*7.65
6	Front shell	1pcs	SUS316F	∅10.0*4.80

*UNLESS OTHERWISE STATED ALL DIMENSIONS ARE IN MILLIMETRES
LINEAR TOLERANCE:
X:±0.20 X:±0.15 XX:±0.10
X*:±2° X*:±0.5°**
Pomagtor
Website:www.pomagtor.net

POMAGTOR
POGO PIN - 16 YEARS OF PROFESSIONAL
Magnetic connection- professional for customization

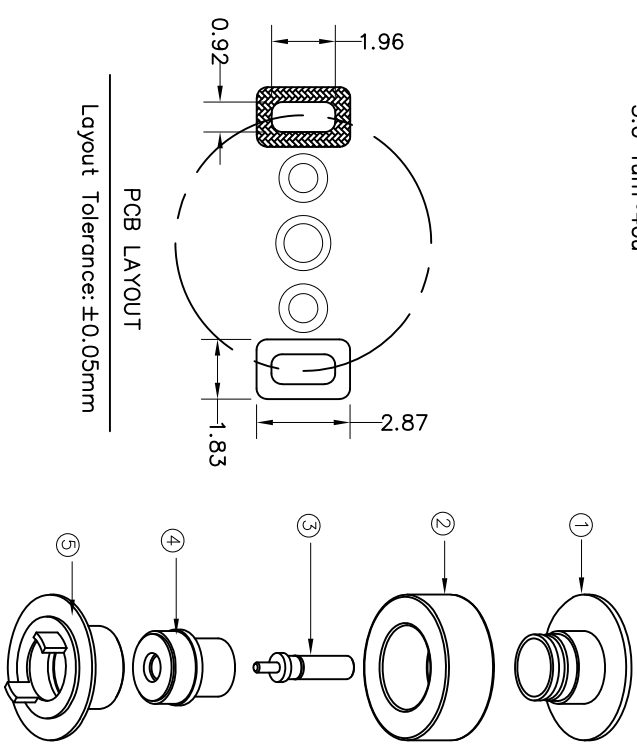
TITLE	REV	SCALE	REV	A0	DRAWN BY	CHECKED BY	APPROVED BY
Circular magnetic connector		1					
SPEC	10.0mm-3PIN-磁-1/M	1					
PART NO	RD91.HHJ0210611-001	mm					
VEIW ANGLE		DATE	21/06/11		ShenYou WU	HongJun HU	QingSong Ge
		SHEET	1 of 1				

REV	ECON NO.	DETAILS	BY	DATE
1				
2				
3				



Item	Part Name	QTY	Material	Finish	Remarks
1	Front shell	1pcs	SUS316F	∅10.0*5.65
2	Magnet	1pcs	NS2	Nickel 5.0um min plated	∅10.0*4.0*∅5.75
3	Pin	1pcs	Ledded Brass	Gold 0.075um min plated over 1.25~3.0um Nickel	∅2.0*7.75
4	Rubber compound	3g	PA9T	Black
5	Back shell	1pcs	C3604	Nickel 5.0um min plated	∅10.0*6.35

NOTES:
 1.0 Rated voltage(Per Contact):5 Volts
 2.0 Rated Current(Per Contact):2A maximum
 3.0 Working Temperature Range: -30~85 °C
 4.0 "▲"For key control dimensions.
 5.0 1um~40u"



*UNLESS OTHERWISE STATED ALL DIMENSIONS ARE IN MILLIMETRES
 LINEAR TOLERANCE:
 X:±0.20, X±0.15, XX±0.10
 X°:±2°, X°±0.5°
 Pomaqtor
 Website:www.pomaqtor.net

POMAGTOR
 POGO PIN - 16 YEARS OF PROFESSIONAL
 Magnetic connection-professional for customization

TITLE	Circular magnetic connector	REV	A0	DRAWN BY	CHECKED BY	APPROVED BY
SPEC	10.0mm-3PIN-3-1/F	SCALE	1			
PART NO	RD91.HHJ0210611-002	UNIT	mm	ShenYou WU	HongJun HU	QingSong Ge
VEIW ANGLE		DATE	21/06/11			
		SHEET	1 of 1			