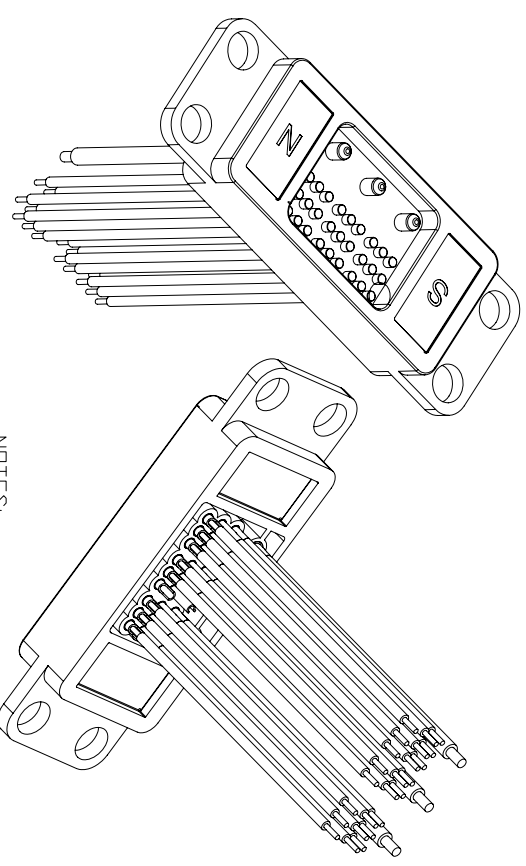
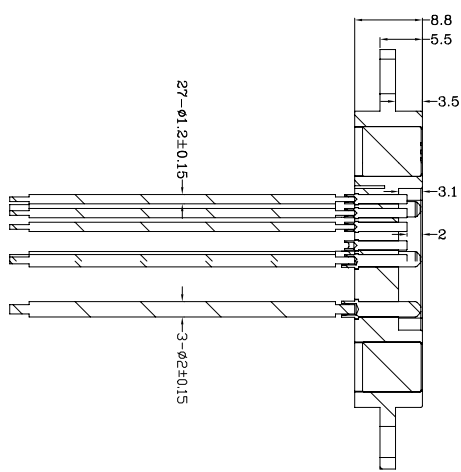
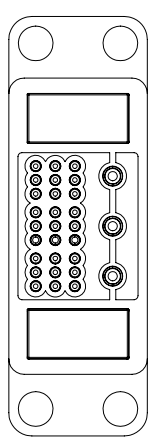
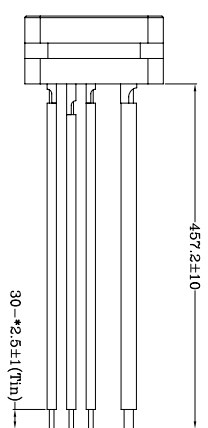
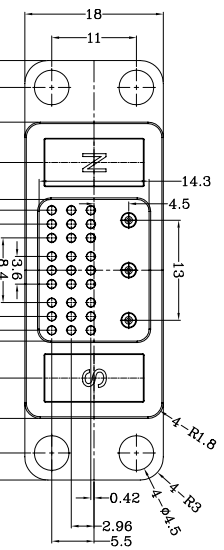
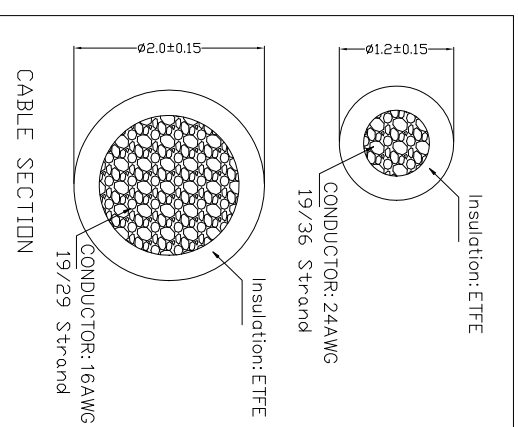


REV	ECN NO.	DETAILS	BY	DATE
1				
2				
3				



NOTES:
 1.0 Insulation Resistance:100M Ω minimum
 2.0 Dielectric Withstanding Voltage:100V at 60HZ
 3.0 Working Temperature Range: -30-85°C



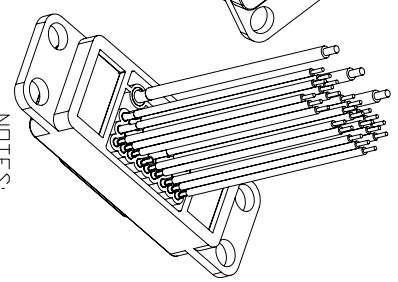
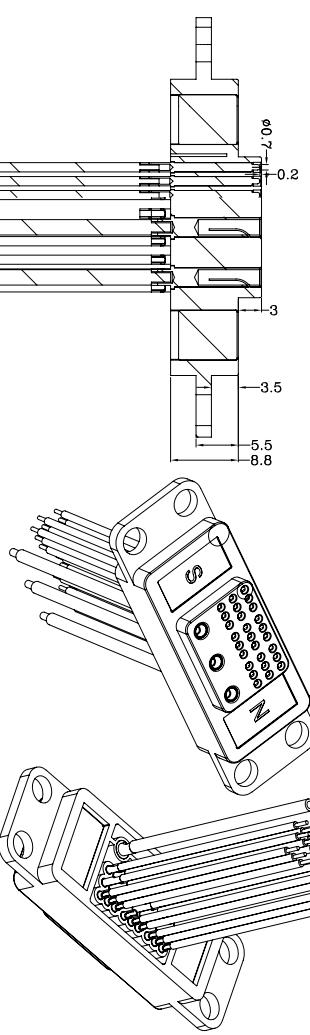
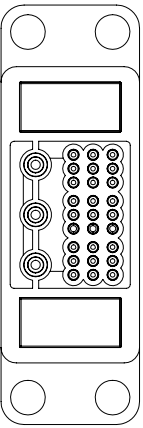
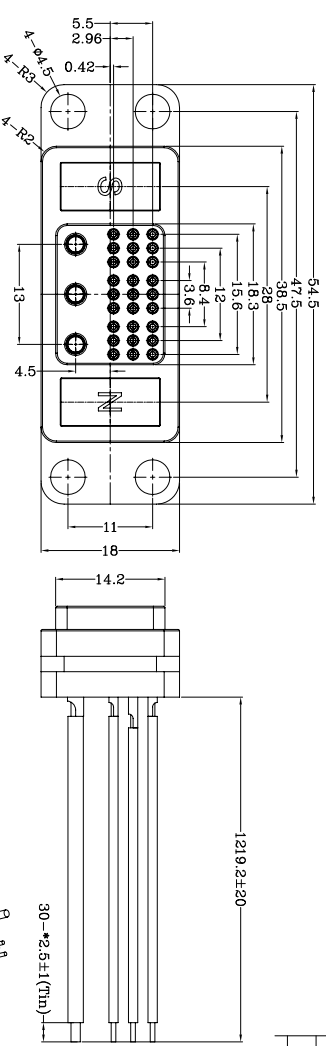
Item	Part Name	Q'TY	Material	Finish	Remark
1	HOUSING	1pcs	nylon black
2	Magnet	2pcs	NS2	Nickel plating 2.5~5um	1315*6.45*7.6
3	PIN	3pcs	beryllium bronze	2.5*9.3
4	PIN	9pcs	C3604	gold 0.125um min plated over 1.25~3.0um Nickel	1.4*10.8
5	PIN	18pcs	C3604	gold 0.125um min plated over 1.25~3.0um Nickel	1.4*9.3
6	Cable	3pcs	ETFE+silver plated copper	19/29 Strand	DD:2.0
7	Cable	27pcs	ETFE+silver plated copper	19/36 Strand	DD:1.2

*UNLESS OTHERWISE STATED ALL DIMENSIONS ARE IN MILLIMETRES
 LINEAR TOLERANCE:
 X:±0.20 X±0.15 XX±0.10
 X°.±2° .X°±0.5°
 Pomaqtor
 Website:www.pomaqtor.net

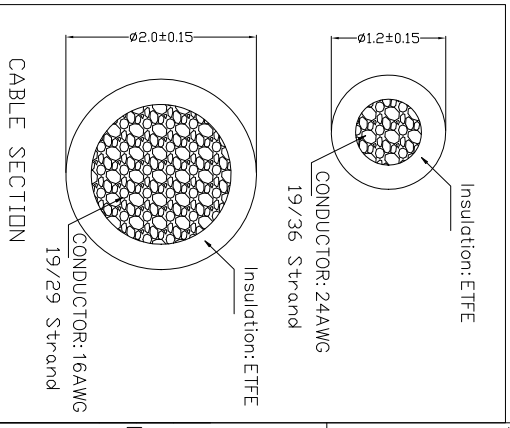
POMAGTOR
 POGO PIN - 16 YEARS OF PROFESSIONAL
 Magnetic connection-professional for customization

TITLE	REV	SCALE	REV	A0	DRAWN	CHECKED	APPROVED
Magnetic connector		1			BY	BY	BY
SPEC	30PIN-F Black L=457mm						
PART NO	***						
VEIW ANGLE			DATE	21/07/22			
			SHEET	1 of 1			

REV	ECN ND.	DETAILS	BY	DATE
1				
2				
3				



- NOTES:
- 1.0 Insulation Resistance:100M Ω minimum
 - 2.0 Dielectric Withstanding Voltage:100V at 60HZ
 - 3.0 Contact Resistance: 30m Ω maximum before fest and 60m Ω maximum after test at pogo pin working stroke
 - 4.0 Recommended Working Stroke&Force: 1)Stroke 10mm(Per Contact)50gf max.
 - 5.0 Mechanical life:10,000 Cycles Min
 - 6.0 Working Temperature Range: -30~85°C



Item	Part Name	Q'TY	Material	Finish	Remark
7	Cable	27Pcs	ETFE+silver plated copper	19/36 Strand	DD:1:2
6	Cable	3Pcs	ETFE+silver plated copper	19/29 Strand	DD:2:0
5	POGGIN	18Pcs	C3604	Gold 0.125 μ m min plated over 1.25~3.0 μ m Nickel	1.4*14.1
4	POGGIN	9Pcs	C3604	Gold 0.125 μ m min plated over 1.25~3.0 μ m Nickel	1.4*15.6
3	PIN	3Pcs	beryllium bronze	Gold 0.125 μ m min plated over 1.25~3.0 μ m Nickel	3.0*14.1
2	Magnet	2Pcs	NS2	Nickel plating 2.5~5 μ m	13.15*6.45*7.6
1	HOUSING	1Pcs	nylon black

*UNLESS OTHERWISE STATED ALL DIMENSIONS ARE IN MILLIMETRES
 LINEAR TOLERANCE:
 X:±0.20 X:±0.15 XX:±0.10
 X*:±2° X*:±0.5°
 Pomaqtor
 Website:www.pomaqtor.net

POMAGTOR
 POGO PIN - 16 YEARS OF PROFESSIONAL
 Magnetic connection-professional for customization

TITLE	REV	SCALE	REV	A0	DRAWN	CHECKED	APPROVED
Magnetic connector							
SPEC	30PIN-M Black L=1219m						
PART NO	***						
VEIW ANGLE							
			DATE	21/07/22			
			SHEET	1 of 1			