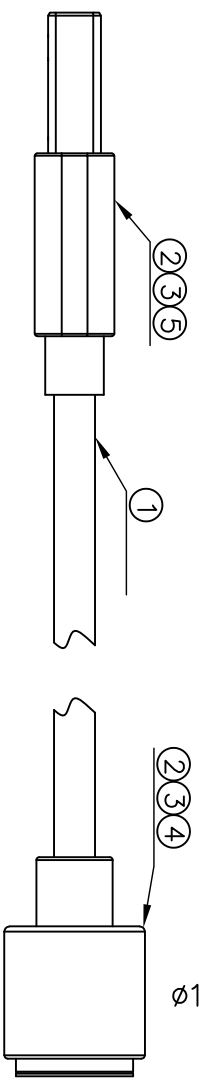
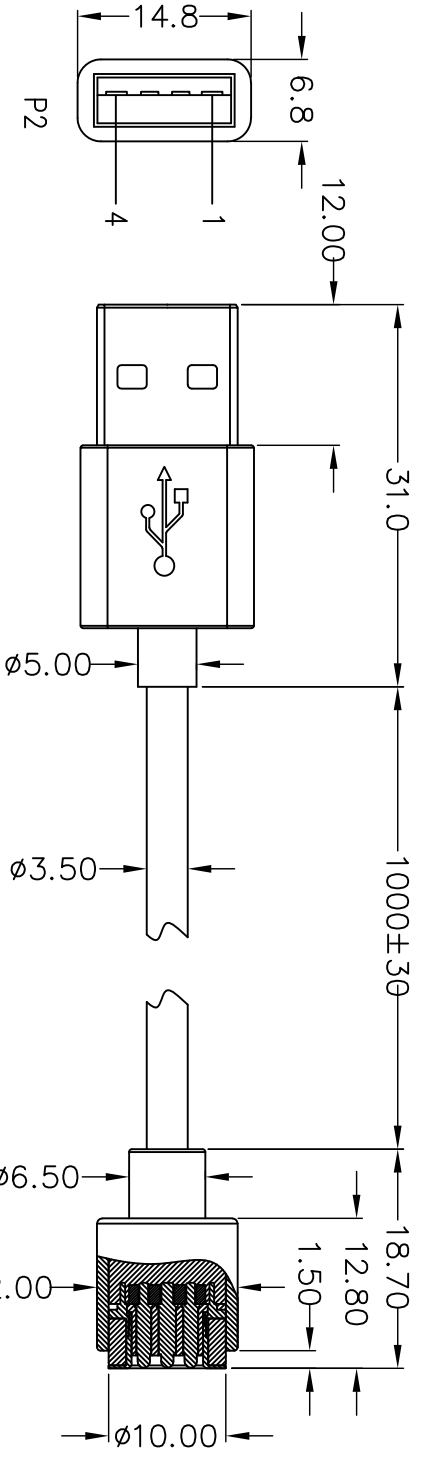
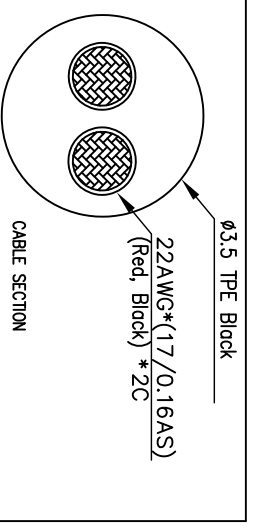


REV	ECN NO.	DETAILS	BY	DATE
1				
2				
3				



Wiring table

P1          P2           
VCC+    Red    1  
GND-    Black    4



CABLE SECTION

Item	Part Name	Q'TY	Material	Finish	Remarks
1	Wire rod	1.0m	TPE Black 22AWG (Red, Black) *2C	.....	$\phi 3.5$
2	Internal Molding Plastic	5g	LD-PE Transparent	.....	.....
3	External Molding Plastic	10g	TPE 90A Black	.....	.....
4	Magnetic connector	1pcs	10.0mm-3PIN-3-1/M male magnetic connector	Needle-nickel plated 50-120u "gold plated 5u" PAA6 Black	$\phi 10.0 \times 7.3$ mm
5	USB A	1pcs	PBT White+Brass	Nickel-plated iron shell, salt spray 24H	.....

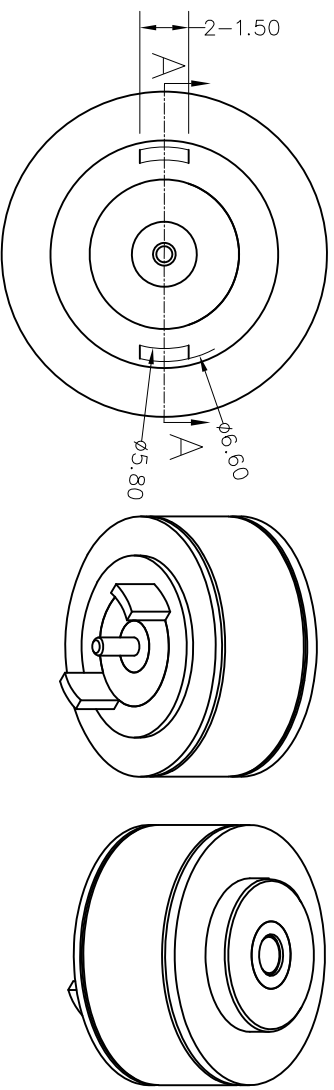
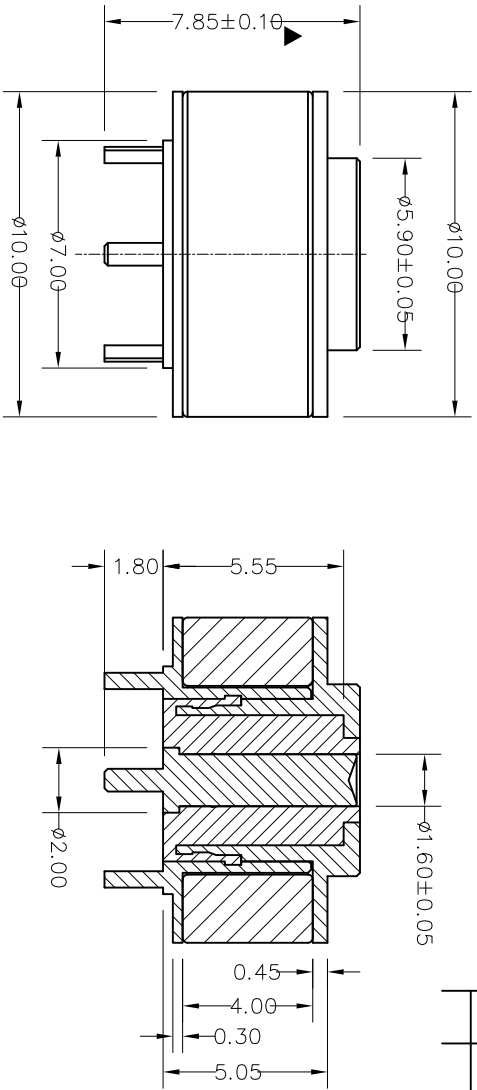
\*UNLESS OTHERWISE STATED  
ALL DIMENSIONS ARE IN  
MILLIMETRES  
LINEAR TOLERANCE:  
X, ±0.20 X, ±0.15 XX, ±0.10  
X, ±.2° X, ±0.5°  
Pomaqtor  
Website: www.pomaqtor.net

**POMAGTOR**  
16 YEARS OF PROFESSIONAL  
Magnetic connection professional for customization

TITLE	Round magnetic wire	REV	A0	DRAWN	CHECKED	APPROVED
SPEC	10.0mm-3PIN-3-1/M	SCALE	1	BY	BY	BY
PART NO	RD91.HHJ0210730-001	UNIT	mm	ShenYou WU	HongJun Hu	QingSong Ge
VEIW ANGLE		DATE	21/07/30			
		SHEET	1 of 1			

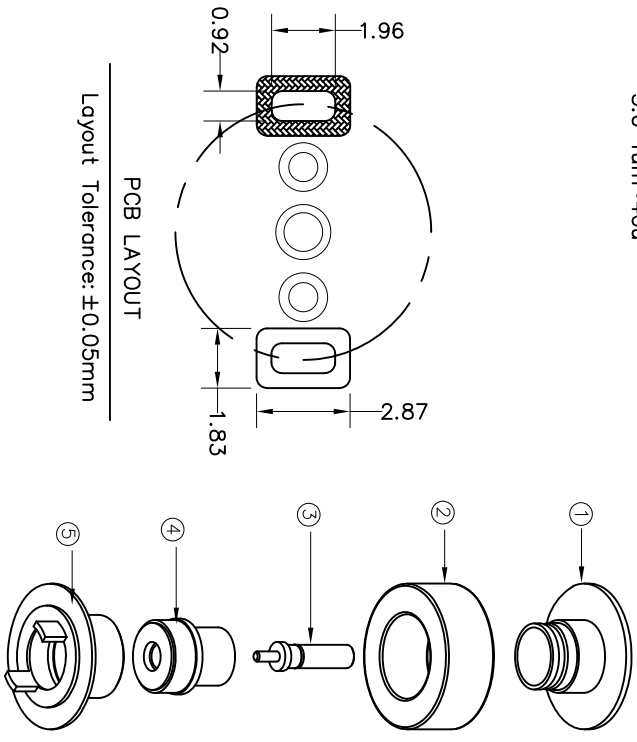
- NOTES:
- 1.0 Rated voltage(Per Contact): 5Volts;
  - 2.0 Rated Current(Per Contact): 2.5A ;
  - 3.0 Insulation Resistance : 100M $\Omega$  minimum;
  - 4.0 Dielectric Withstanding Voltage: 100V at 60HZ;
  - 5.0 Contact Resistance: 30m  $\Omega$  maximum before test and 60m  $\Omega$  maximum after test at pogo pin working stroke;
  - 6.0 Recommended Working Stroke&Force: 1)Stroke 1.1mm(Per Contact): 80 $\pm$ 20gf;
  - 7.0 Mechanical life: 10,000 Cycles Min;
  - 8.0 Bending test : Weight 1200g,  $\pm$ 60° 30Cycles/Min 2000Cycles;
  - 9.0 Working Temperature Range: -30 ~85 °C;
  - 10.0 Magnet Gauss value: 2300 $\pm$ 200GS, Magnet force: 500 $\pm$ 50gf.

REV	ECON NO.	DETAILS	BY	DATE
1				
2				
3				



Item	Part Name	QTY	Material	Finish	Remarks
1	Front shell	1pcs	SUS316F	.....	∅10.0*5.65
2	Magnet	1pcs	NS2	Nickel 5.0um min plated	∅10.0*4.0*∅5.75
3	Pin	1pcs	Ledded Brass	Gold 0.075um min plated over 1.25~3.0um Nickel	∅2.0*7.75
4	Rubber compound	3g	PA9T	.....	Black
5	Back shell	1pcs	C3604	Nickel 5.0um min plated	∅10.0*6.35

NOTES:  
 1.0 Rated voltage(Per Contact):5 Volts  
 2.0 Rated Current(Per Contact):2A maximum  
 3.0 Working Temperature Range: -30~85 °C  
 4.0 "▲"For key control dimensions.  
 5.0 1um~40u"



\*UNLESS OTHERWISE STATED ALL DIMENSIONS ARE IN MILLIMETRES  
 LINEAR TOLERANCE:  
 X:±0.20, Y:±0.15, XX:±0.10  
 X\*:±2°, X\*:±0.5°  
 Pomaqtor  
 Website:www.pomaqtor.net

**POMAGTOR**  
 POGO PIN - 16 YEARS OF PROFESSIONAL  
 Magnetic connection-professional for customization

TITLE	REV	SCALE	DATE
Circular magnetic connector	A0	1	21/06/11

DRAWN BY: ShenYou WU  
 CHECKED BY: HongJun Hu  
 APPROVED BY: QingSong Ge

VEIW ANGLE