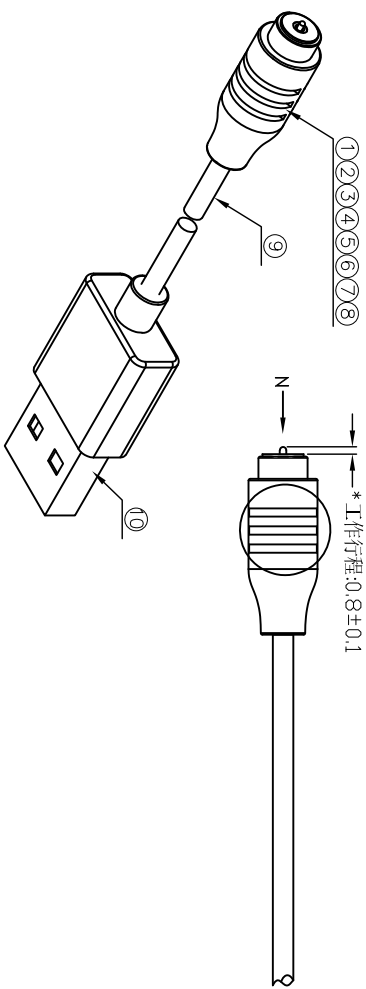
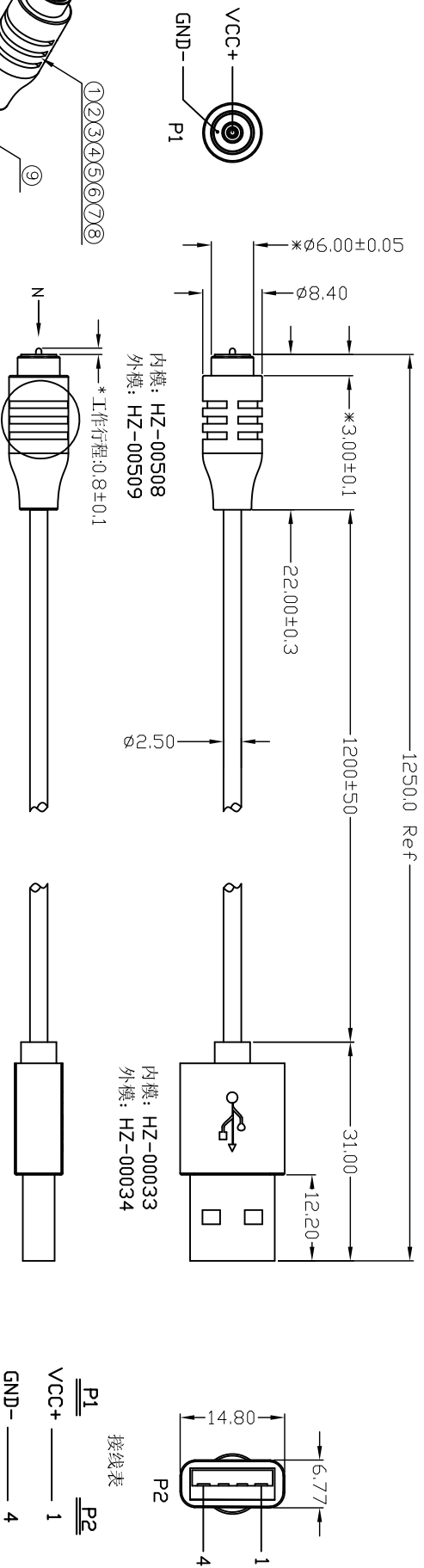
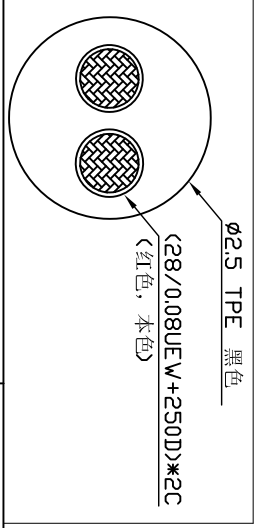


REV	ECN ND.	DETAILS	BY	DATE
1				
2				
3				



序号	料号	名称	数量	材质	表面处理	备注
10		USB2.0 插头	8g	PBT 白色+黄铜+PTC 1A	Pin 镀金G / F	.....
9		线材	1.2m	TPE 黑色 (28/0.08UEW+500D)*2C	.....	Ø2.5
8		外模	8g	TPE 90A 颜色: 黑色	.....	.....
7		内模	3g	PE原料 颜色: 黑色	.....	.....
6		PCB	1pcs	FR-4 5V 1A	无轴喷锡	.....
5		注塑	3g	PA9T	.....	黑色
4		后壳	1pcs	C3604	镀镍5.0um以上	Ø6.0*1.95
3		磁铁	1pcs	NS2	镀镍3.0um以上	Ø6.0*4.0
2		Pogo Pin	1pcs	C3604	镀金0.075um以上 镀镍1.25~3.0um	Ø1.5*9.3
1		前壳	1pcs	SUS316L	.....	Ø5.0*5.6



- 技术要求:
- 1.0 摆动试验: 吊200g, ±60度 30次/ min; 2000次导通OK
  - 2.0 额定电压 (PIN 接触): 5Volts
  - 3.0 额定电流 (PIN 接触): 1A maximum
  - 4.0 工作弹力单PIN:
    - 1) 按压行程0.8mm (PIN 接触)
    - 2) 单PIN弹力: 60gf Max
- 5.0 USB端子具有PTC 1A保护电路
  - 6.0 寿命测试:
    - 1) 按压行程0.8mm, 10,000次 (Min)
    - 7.0 工作温度范围: -30~85℃
    - 8.0 标识有“\*”作为关键维度。

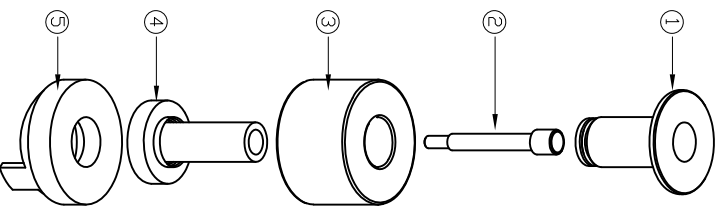
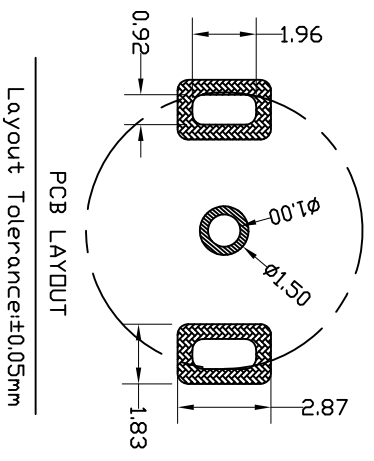
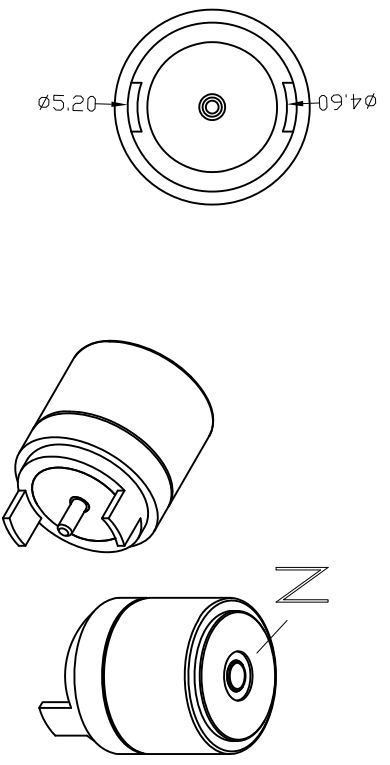
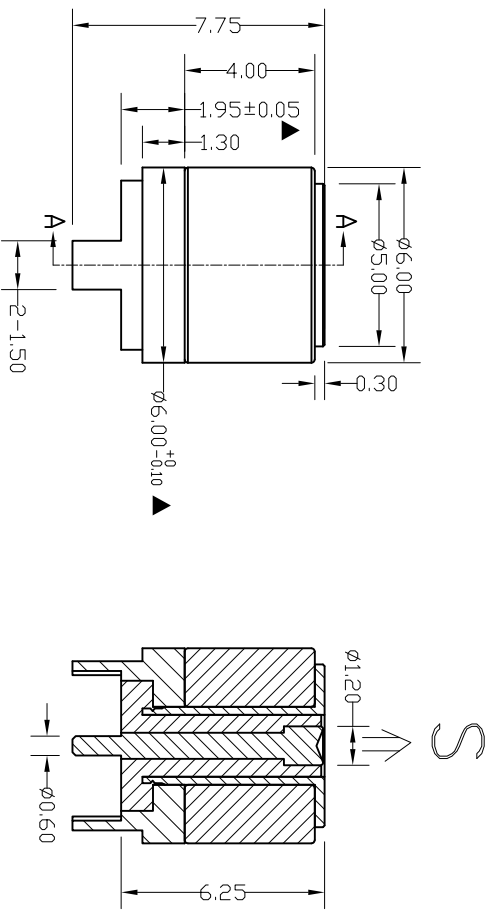
\*UNLESS OTHERWISE STATED  
ALL DIMENSIONS ARE IN  
MILLIMETRES  
LINEAR TOLERANCE:  
X:±0.20, Y:±0.15, Z:±0.10  
X':±2°, Y':±0.5°  
Pomagtor  
Website: www.pomagtor.net

**POMAGTOR**  
16 YEARS OF PROFESSIONAL  
Magnetic connection professional for customization

TITLE	REV	SCALE	REV	A0	DRAWN	CHECKED	APPROVED
圆形磁吸线		1			BY	BY	BY
SPEC	USB TD 6mm/M 3代	UNIT	mm				
PART NO	RD91.SWM0210120-001	DATE	21/03/26		W.M.S	H.J.H	Q.S.G
VEIW ANGLE		SHEET	1 of 1				

REV	ECN NO.	DETAILS	BY	DATE
1				
2				
3				

- NOTES:
- 1.0 Rated voltage(Per Contact):5 Volts
  - 2.0 Rated Current(Per Contact):1A maximum
  - 3.0 Working Temperature Range: -30~85℃
  - 4.0 "▲"For key control dimensions.
  - 5.0 1um≈40u"



Item	Part Name	Q'TY	Material	Finish	Remarks
5	Back shell	1pcs	C3604	Nickel 5.0um min plated	ø6.0*3.45
4	Rubber compound	3g	PA9T	....	Black
3	Magnet	1pcs	NS2	Nickel 3.0um min plated	ø6.0*4.0
2	Pin	1pcs	Leaded Brass	Gold 0.075um min plated over 1.25~3.0um Nickel	ø1.2*7.7
1	Front shell	1pcs	SUS316L	....	ø5.0*5.6

\*UNLESS OTHERWISE STATED  
ALL DIMENSIONS ARE IN  
MILLIMETRES  
LINEAR TOLERANCE:  
X:±0.20, Y:±0.15, XX:±0.10  
X\*:±2°, X\*:±0.5°\*\*  
Pomagtor  
Website:www.pomagtor.net

**POMAGTOR**  
POGO PIN - 16 YEARS OF PROFESSIONAL  
Magnetic connection-professional for customization

TITLE	REV	SCALE	REV	A0	DRAWN BY	CHECKED BY	APPROVED BY
Circular magnetic connector					HJH	HXH	QS.G
SPEC		6.0mm-2PIN-3 /F		1			
PART NO		RD91HHJ0210323-002		mm			
VEIW ANGLE				DATE			
				21/03/23			
				SHEET			
				1 of 1			