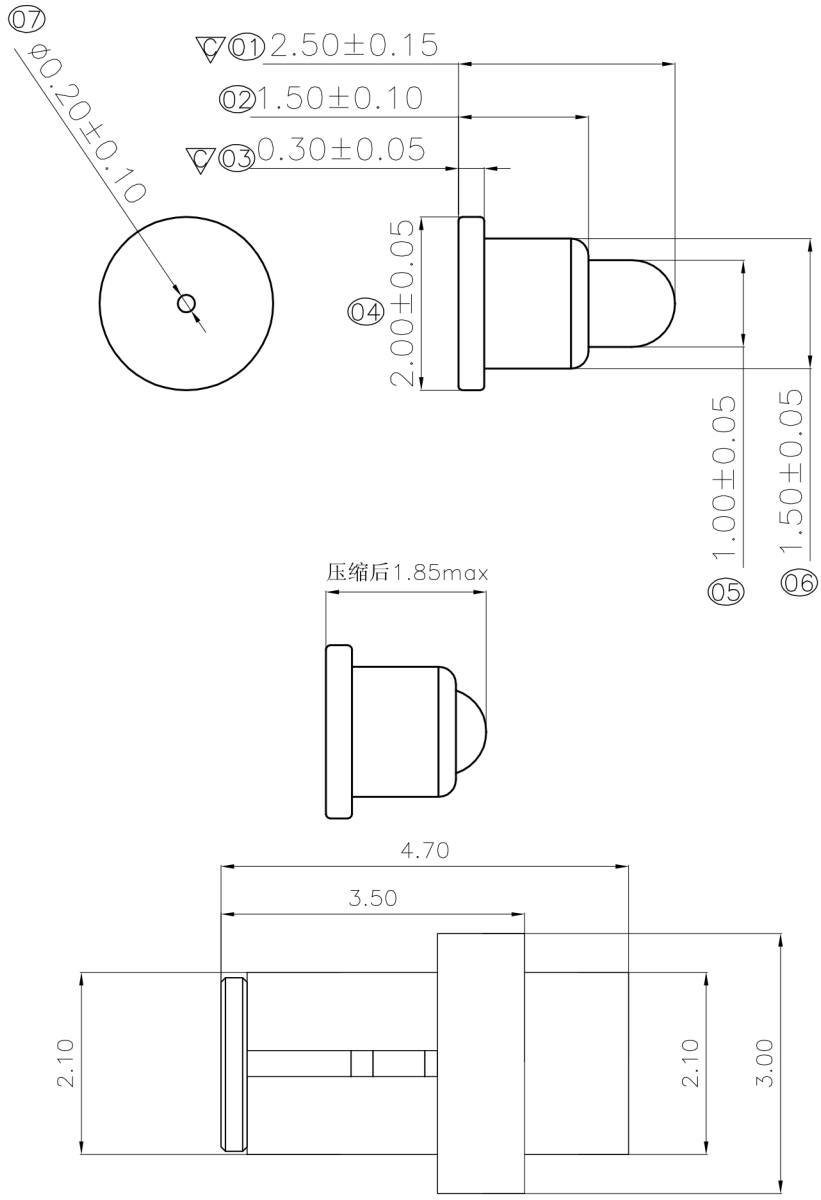


REV.	ECN NO.	LOCAS.	DESCRIPTION	DATE	DESIGN
A0			NEW	2011.03.23	譚立強



NOTE:

- Material
 - .Cover: Black PA46(UL94V-0)
 - .Plunger: Brass
- Plating
 - .Contact surface: 3u" minimum Au over 80~100u" Ni
- Electrical
 - .Rated Current & Voltage: DC 12V; AC 1A
 - .Contact Resistance: 25mΩ maximum
- RoHS COMPLIED PROUCT.
- Elasticity: Stroke 0mm : 10gf Stroke 0.5mm : 100gf Stroke 0.90mm (or fully compressed) : 160~250gf
- Life (Million) : stroke range Max 0.5~4mm Max.Stroke 10000 times
- Temperature: -40°~150°

泰科漢澤 Tyco Hanconn Precision Electronic Co.,Ltd					
DRAW NO.		DATE	MATERIAL: SEE NOTE	DRAW NAME:	
DESIGN:	譚立強	2011.03.23	FINISH: SEE NOTE	POGO PIN 2.0*2.5	
CHECK:			FILE:		
REVIEW:			P/N.HY90-00019-002		
			REV. A0	SCALE N/A	
			UNIT: mm	SHEET: 1/1	⊕

DIM	TOL	DIM	TOL
X.		X'	
X.X	±0.20	X.X'	
X.XX	±0.15	X.XX'	
X.XXX	±0.10	X.XXX'	