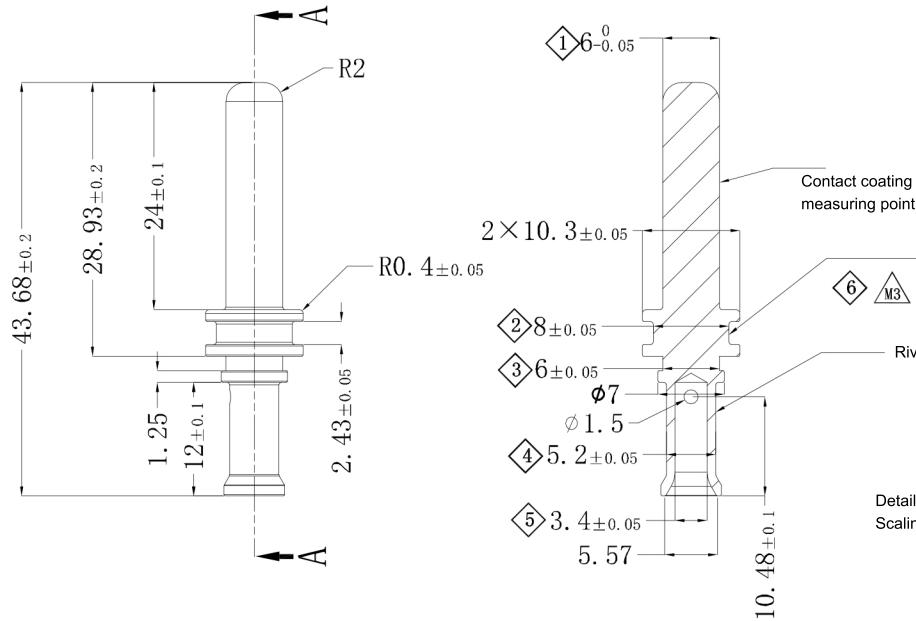


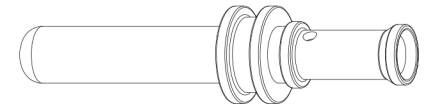
REV	ECN NO.	DETAILS	BY	DATE
A0	/		温海标	2021/07/26
A1				

- SKILLS REQUIREMENT
1. Material: C35300→1 2 HARD PER ASTW B453/B453M
 2. Finished product/coating:
First coating: N1 PER ASTM B689-97, 3-7 microns thick. No post heat treatment must use nickel sulfate
Secondary Plating: Electroplated Silver to ASTM B700 08, Type I, 3-5 Micron Thick, Grade B, Grade N. The silver cyanide process must be used.
 3. Surface treatment: SP1-B2, Ra1.6 or better.
 4. Clean: free from oil and other contaminants
 5. Grind the product with sharp edges, the product must not have burrs, metal chips or other defects, and the grinding angle should be less than 0.1 mm;
 6. The raw materials, processing technology and process materials of the product cannot be changed to ensure product consistency;
 7. P1: Insertion force: 12-22N Pull out force: 7-15N (use a metal pin with a diameter of 9.0mm ±0.01mm and a surface smoothness of 1.6um or better), the insertion speed is 10mm/min
 8. All materials and coatings must comply with all applicable international environmental regulations, including but not limited to EU Directives WVTA, ELV, RRR, RoHS, WEEE, REACH and BATTERY Directives detailed in GADSL 2006/66/EC, in List its latest version when used (<http://www.gadsl.org> refer to DOC#BMS-00001 47 for details).
 9. All materials and coatings must comply with EU Directive 2000/53/EC (ELV Directive)
 10. Components complying with EU Directive 2003/138/EC (Material Coding Directive)
 11. Materials must meet FMVSS 302 or better



Section view A-A
Scale: 2:1

Detailed explanation: C
Scaling: 2:1



*UNLESS OTHERWISE STATED ALL DIMENSIONS ARE IN MILLIMETRES LINEAR TOLERANCE: X,±0.20 .X±0.15 .XX±0.10 X°,±2° .X°±0.5°" Pomagtor Website:www.pomagtor.net		<h1>POMAGTOR</h1> <p>POGO PIN - 16 YEARS OF PROFESSIONAL Magnetic connection-professional for customization</p>				
TITLE	Car parts	REV	A0	DRAWN BY	CHECKED BY	APPROVED BY
SPEC	10.3*43.68	SCALE	1	温海标		
PART NO	RD75.WHB0210726-006	UNIT	mm			
VEIW ANGLE		DATE	2021/07/26			
		SHEET	1 of 1			