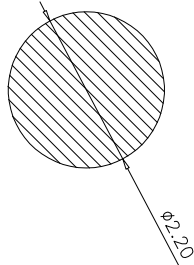
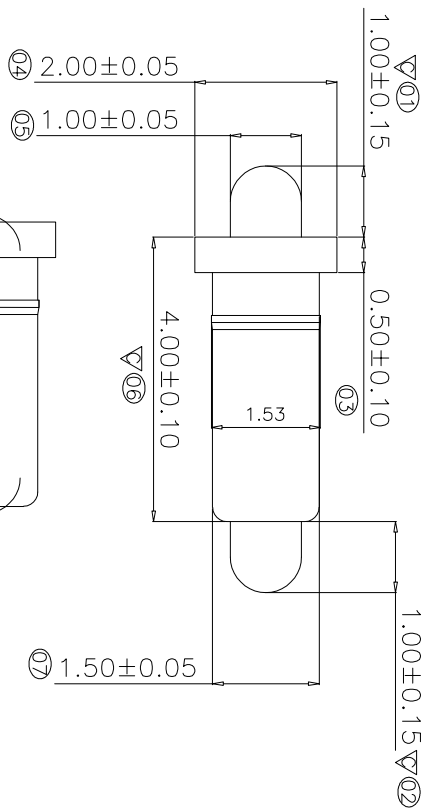


REV	ECN NO.	DETAILS	BY	DATE
1	AD	The new version was released	Tan liqiang	2012.02.13
2				
3				



PCB LAYOUT

Layout Tolerance: ±0.20mm

Item	QTY	Remark
4	-	-
3	-	-
2	-	-
1	-	-
		Finish

NOTE:  
 1. Material: Plunger/Brass  
 2. Plating: Contact surface/minimum Au over 80~100u" NI  
 3. Electrical Rated Current & Voltage: DC 12V; AC 1~1.65A, 24H  
 Contact Resistance: 25mΩ maximum  
 4. ROHS COMPLIED PRODUCT.  
 5. Elasticity: Stroke 0mm; Stroke, 0.25mm 50gf, Stroke 20mm or fully compressed 100~150gf  
 6. Life (million): Stroke range Max 0.5~4mm According to the type of PIN is different Max. Stroke weight changes after 1000 touches down, and Creep deformation is minimized within 0.5GF  
 7. Temperature: -40°~150°  
 8. Use: Electronic photography, electrification, Mobile phone antenna, ground, battery contact.

Level	Name of product	Material no	Unit	Usage	Material
0	2.0*6.00 Double play N150~90u" Au1u"	HY90-00040-001	PCS	1	
1	1.20*2.00 Needle head N150~90u" Au1u"	HY70-00040-001	PCS	2	
2	1.20*2.00 Needle head	HY60-00040-001	PCS	2	C3604
3	1.20 Round copper bar	HY50-00001-005	mm/pcs	2.50	C3604
1	2.0*4.00 the needle N150~90u" Au1u"	HY70-00040-002	PCS	1	C3604
2	2.0*4.00 the needle	HY60-00040-002	PCS	1	C3604
3	2.0 Round copper bar	HY50-00001-013	mm/pcs	4.50	C3604
1	0.13*0.75*4.75*17N	HY51-00046-001	PCS	1	SUS304

\*UNLESS OTHERWISE STATED ALL DIMENSIONS ARE IN MILLIMETRES LINEAR TOLERANCE: X±0.20 X±0.15 XX±0.10 X\*±2° X\*±0.5°  
 Pomoq for Website: www.pomogtor.net

**POMOGTOR**  
 POGO PIN - 16 YEARS OF PROFESSIONAL Magnetic connector - professional for customization

ITEM	REV	SCALE	UNIT	DATE	SHEET
S/N		1	mm	2012/02/13	1 of 1
R.D.S./N	HY90-00040-001				
VEIW ANGLE					

DRAWN BY: Tan liqiang  
 CHECKED BY: Tan liqiang  
 APPROV BY: Tan liqiang

ED