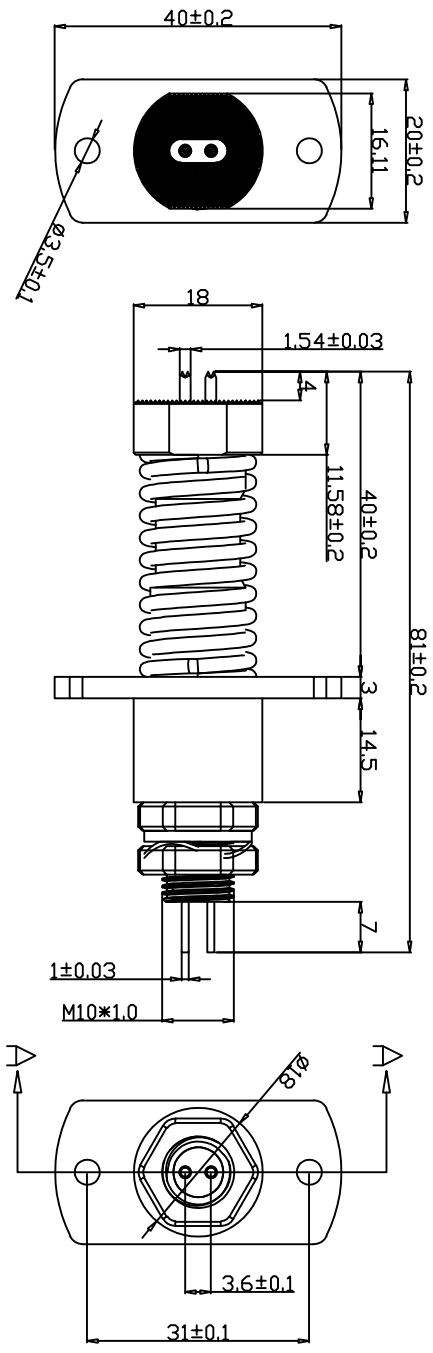
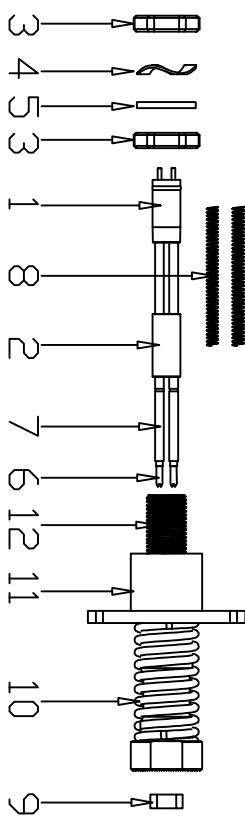
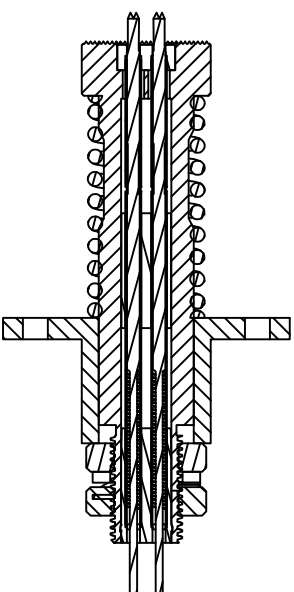


REV	ECN N.D.	DETAILS	BY	DATE
A0	-	new version release	XYF	2022.05.17



- NOTES:
- 1.0 Rated voltage: 220 Volts
  - 2.0 Rated Current: 60A
  - 3.0 Contact Resistance: 30mΩ maximum
  - 4.0 Recommended Working Stroke&Force:  
1)Stroke 6mm: 300±50gf  
2)Stroke 6mm: 10kgf±1kgf
  - 5.0 Mechanical life:  
1)Mechanical life: 20,000 Cycles Min  
6.0 Salt spray test 48 hours  
7.0 Working Temperature Range: -30~85°C



12	RD75.KFY220517-001	High current probe screw	Ø18*70 Material: Brass - Lead-free, nickel plated	1PCS
11	RD75.SN220601-01	Ø 20*40*17.5 Material of large current probe core: PP Gray white		1PCS
10	HV53S1381603400-01	1.6*13.8*34*7N Material SUS304 is pressed down to 18.5 The elastic force is 100G and the life is more than 10W		1PCS
9	RD75.SN220601-04	8.1*3.3*3.5 High current probe core material: Teflon black		1PCS
8	HV53S11700122300-01	0.28*1.7*2.3*4.5N (lead free) material SUS304 dem to 17 elastic force 20.0G stroke diameter 2.0.08 total length 20.3 life more than 10W (lead)		2PCS
7	RD75.ZMJ20220518-01	Material of high current probe screw: SUS304 Ø 2.2*65.2		2PCS
6	N/A	Ø1.8*81 Material: lead-free brass nickel plated 50° 1200 "Gold plated 9U", salt spray after 48 hours		2PCS
5	RD75.ZMJ20220518-02	High current probe screw gasket material: SUS304 Φ15 *Φ65.2*1.5		1PCS
4	RD75.ZMJ20220518-04	High current probe screw three peak ripple gasket material: SUS304 passivation 10.1*12.3		1PCS
3	RD75.ZMJ20220518-03	High current probe screw nut material: SUS304 blunt M10*1.0*14		2PCS
2	RD75.SN220601-03	Φ 6.9*16 High current probe core material: Teflon black		1PCS
1	RD75.SN220601-02	Φ 7*16 High current probe front stopper material: Teflon black		1PCS

Items are		Parts of material		Specifications describe		Dosage	
1		2		3		4	
5		6		7		8	
9		10		11		12	

\*UNLESS OTHERWISE STATED  
ALL DIMENSIONS ARE IN  
MILLIMETRES  
LINEAR TOLERANCE:  
X±0.20 X±0.15 XX±0.10  
X\*±2° X\*±0.5°\*\*  
Pomagtor  
Website: www.pomagtor.net

**POMAGTOR**  
16 YEARS OF PROFESSIONAL  
Magnetic connection-professional for customization

REV	A0	DRAWN	CHECKED	APPROVED
SCALE	1	BY	BY	BY
UNIT	mm			
DATE	2022/05/31			
SHEET	1 of 1			