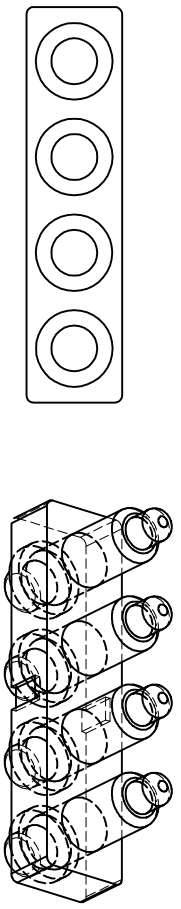
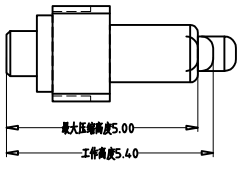
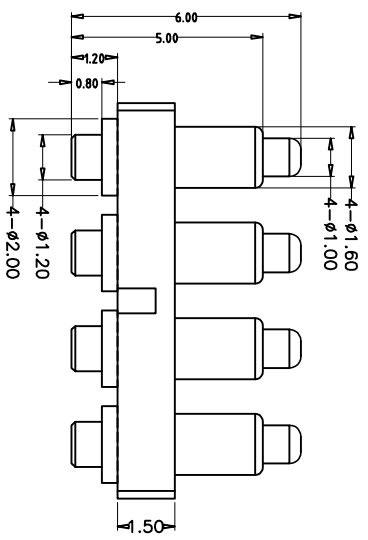
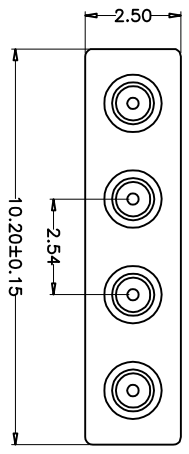


REV	ECN NO.	DETAILS	BY	DATE
1	AD	The new version was released	-	-
2				
3				



NOTES:

- 1.0 Rated voltage: 12 Volts
- 2.0 Rated Current: 1A maximum
- 3.0 Contact Resistance: 30ma maximum
- 4.0 Recommended Working Stroke&Force:
1)Stroke0.6mm 60±5gf
- 5.0 Mechanical life:
1)Mechanical life:30000 Cycles Min
6.0 Salt Spray:48H Min
7.0 Working Temperature Range: -30~85°C
8.0 Marked with "*" as key dimension
9.0 The product must conform to the latest RoHS

*UNLESS OTHERWISE STATED
ALL DIMENSIONS ARE IN
MILLIMETERS
LINEAR TOLERANCE:
X:±0.20 X:±0.15 XX:±0.10
X*:±2° X*:±0.5°
Pomogtor
Website:www.pmogtor.net

POMAGTOR
16 YEARS OF PROFESSIONAL
Magnetic connector - professional for customization

Item	Part Name	Material	Q'TY	Remarks
1	Pogo Pin	HB159-15	4pcs	-
2	housing	PA9T	1pcs	
3				
4				

ITEM	REV	SCALE	UNIT	DATE	SHEET
	A4	1	mm	-	1 of 1

DRAWN BY
CHECKED BY
APPROV BY

E.D