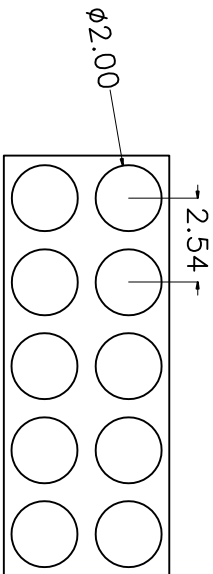
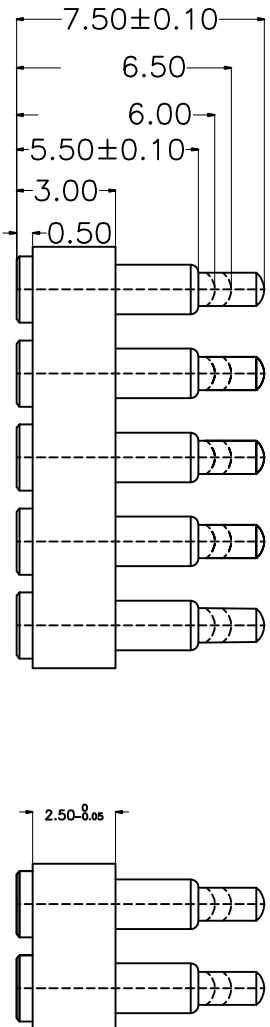
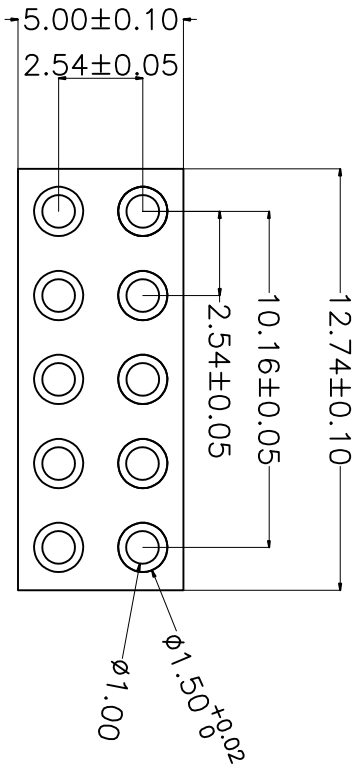
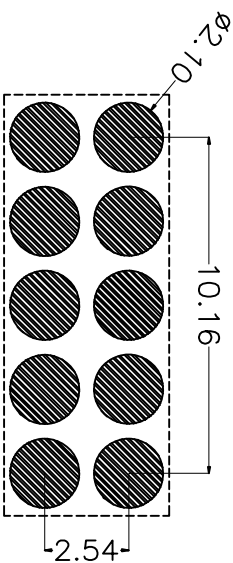


REV	ECN NO.	DETAILS	BY	DATE
1	AD	The new version was released	QiaoYun	2014.11.25
2				
3				



- NOTES:
- 1.0 PLATING:
- 1) Contact plating: brass Au10u" over 50-80u" Ni
 - 2) Contact solder area plating: brassAu5u" over 50-80u" Ni
 - 3) Spring: SUS
 - 4) Housing: LCP 265*MAX
 - 2.0 Rated voltage(Per Contact): 12 Volts
 - 3.0 Rated Current(Per Contact): 3A maximum
 - 4.0 Insulation Resistance: 100MEGAOHMS Minimum
 - 5.0 Dielectric Withstanding Voltage: 100VRMS AT 60HZ
 - 6.0 Contact Resistance: 30mΩ maximum before test and 60mΩ maximum after test at pogo pin working stroke
 - 7.0 Recommended Working Stroke&Force:
 - 8.0 Mechanical life:
 - 1) 0.80mm(Mechanical life):30,000 Cycles Min
 - 2) Stroke 1.0mm(Per Contact):50gftmax
 - 9.0 Working Temperature Range: -30~85°



PCB LAYOUT
Layout Tolerance: ? .05mm

*UNLESS OTHERWISE STATED
ALL DIMENSIONS ARE IN
MILLIMETRES
LINEAR TOLERANCE:
X±0.20 ,X±0.15 ,XX±0.10
X*±2° ,X*±0.5°*
Pomogtor
Website:www.pomogtor.net

POMAGTOR
POGO PIN - 16 YEARS OF PROFESSIONAL
Magnetic connector - professional for customization

Item	Part number	Material	Finish	QTY	Remark
4	-	-	-	-	-
3	-	-	-	-	-
2	-	-	-	-	-
1	-	-	-	-	-

ITEM	10PIN pogo pin connector	REV	A4	DRAWN BY	CHECKED BY	APPROV BY
S/N	HY91-00154-001	SCALE	1			
R.D.S/N	-	UNIT	mm	QiaoYun		
VEIW ANGLE		DATE	2014/11/25			
		SHEET	1 of 1			