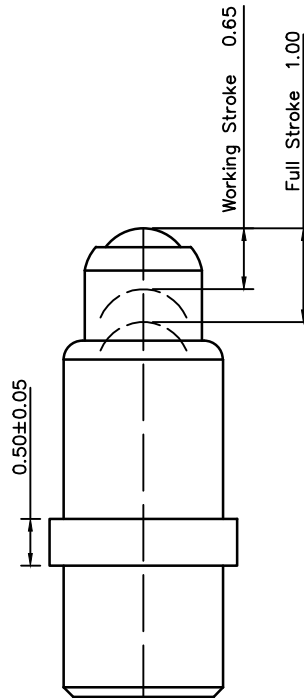
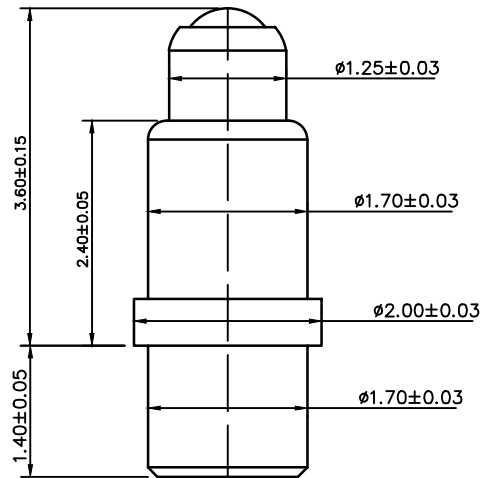
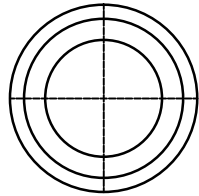


ROHS+HF

REV	ECN NO.	DETAILS	BY	DATE
A0	/	/	Wen Haibiao	2021/03/15

NOTES:
 1.0 Rated voltage: 12 Volts
 2.0 Rated Current: 1.2A
 3.0 Contact Resistance: 30m Ω maximum
 4.0 Recommended Working Stroke&Force:
 1)Stroke 0.65mm 60 \pm 10gf
 5.0 Mechanical life:
 1)Mechanical life: 40,000 Cycles Min
 6.0 Salt Spray: 72h Min
 7.0 Working Temperature Range: -30~85°C
 8.0 Marked with "*" as key dimension



5	Plug	HBI59-1.5	Pd0.125 μ m Min plated over Ni1.25-3.0 μ m	1pcs	-
4	ball	SUS304	Pd0.5 μ m Min plated over Ni1.25-3.0 μ m	1pcs	-
3	Barrel	HBI59-1.5	Pd0.125 μ m Min plated over Ni1.25-3.0 μ m	1pcs	-
2	Plunger	HBI59-1.5	Pd0.125 μ m Min plated over Ni1.25-3.0 μ m	1pcs	-
1	Spring	SUS304	Insulating layer	1pcs	-
Item	Part Name	Material	Finish	Q TY	Remark

"UNLESS OTHERWISE STATED
 ALL DIMENSIONS ARE IN
 MILLIMETRES
 LINEAR TOLERANCE:
 X. \pm 0.20 .X \pm 0.15 .XX \pm 0.10
 X $^{\circ}$. \pm 2 $^{\circ}$.X $^{\circ}$ \pm 0.5 $^{\circ}$ "
 Pomagtor
 Website:www.pomagtor.net

POMAGTOR
 POGO PIN - 16 YEARS OF PROFESSIONAL
 Magnetic connection-professional for customization

TITLE	POGOPIN	REV	A0	DRAWN BY	CHECKED BY	APPROVED BY
SPEC	2.0*5.0	SCALE	1	Wen Haibiao		
PART NO	HY920.1020050020-01	UNIT	mm			
VEIW ANGLE		DATE	2021/03/15			
		SHEET	1 of 1			