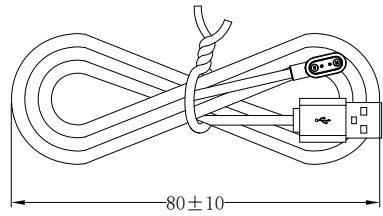
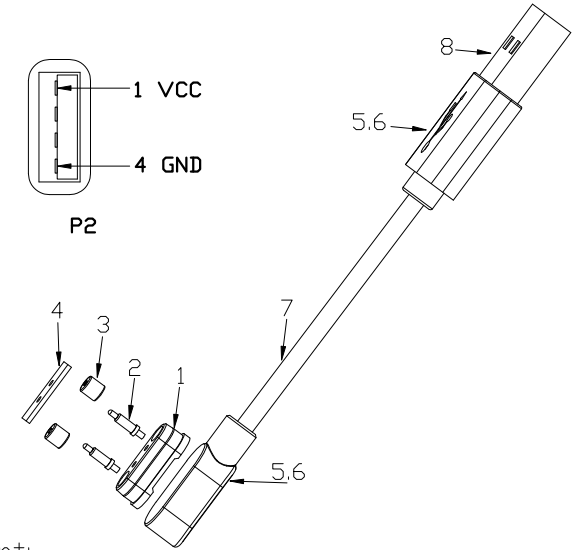
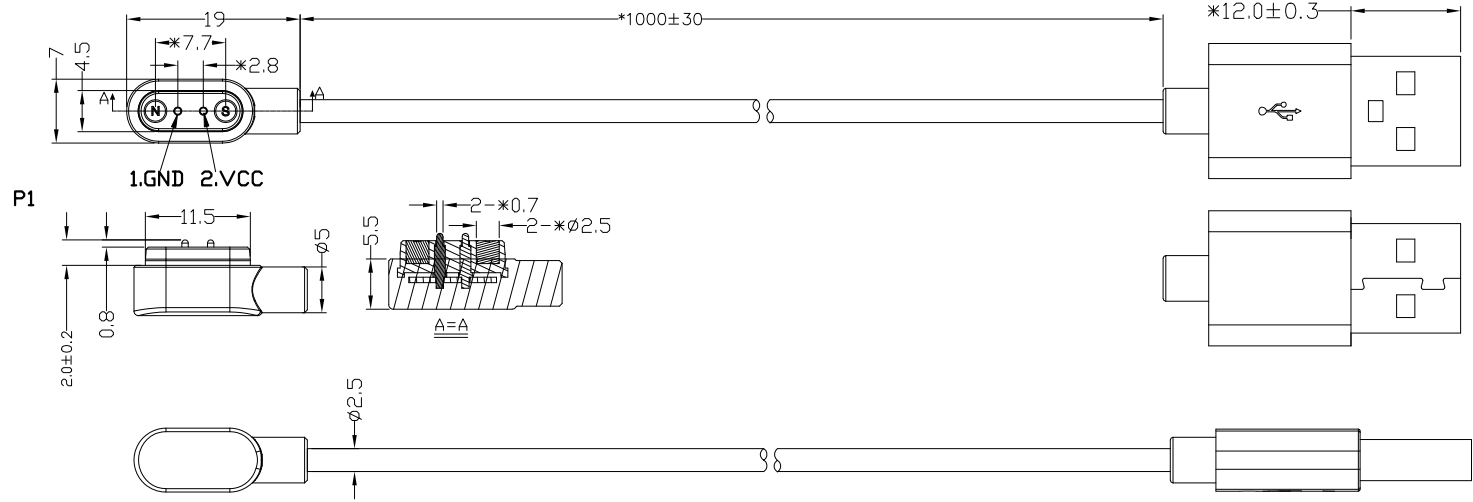
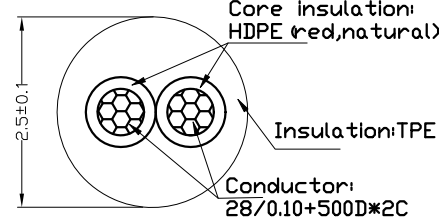


RoHS2.0

REV	ECN NO.	DETAILS	BY	DATE
1				
2				
3				



P1	P2
2	1
red	
1	4
natural	



CABLE SPEC:

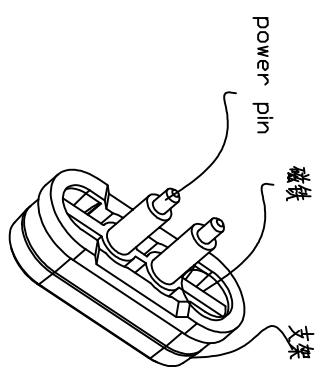
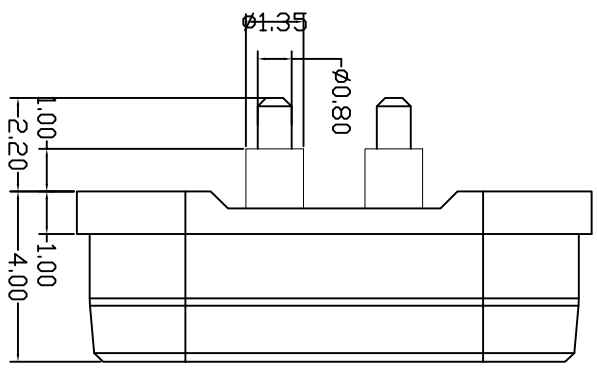
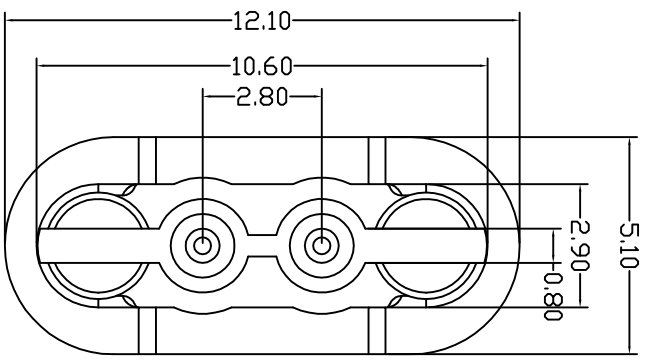
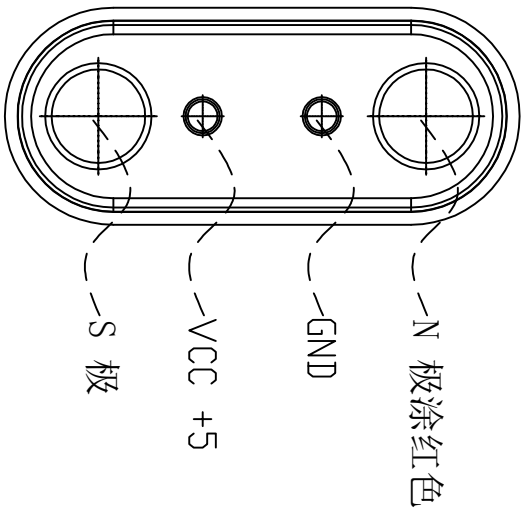
Skills Requirement:  
 1.0 a.100%□pen/Short test.  
 b.□N-resistance: 3Ω (max).  
 c.Insulation Resistance: 300V/DC 10MΩ(min).  
 2.0 Electrical Characteristics:  
 1)Insulation Resistance: 100MΩ min.  
 2)Dielectric Withstand Voltage: 100V AT 60Hz.  
 3)Contact Resistance: 30mΩ Max. Before Test And 60mΩMax. After Test.  
 4)Press Stroke 0.6mm (Per Contact): 60gf(MAX)  
 5)Press stroke 0.6mm, 10,000 times Min.  
 3.0 Salt Spray Test: 5% Salt Spray Concentration, Temperature 35°C, Test Time 24 Hours, No Corrosion.  
 4.0 Working Temperature Range: -30~+85°C.  
 5.0 Key control dimensions are indicated by “\*”.

8	USB2.0 Plug	1pcs	White+Brass+SPCC	Pin Gold Plating G/F, Iron Shell Nickel Plating	.....
7	Cable	1.03m	TPE White	.....	∅2.5
6	External Molding Plastic	.....	TPE Material Color: White	.....	.....
5	Internal Molding Plastic	.....	PE Raw Material Color: Transparent	.....	.....
4	PCB	1pcs	FR4	Lead free tin spraying	L:11*W:4*T:0.6
3	Magnet	2pcs	N52	Nickel 5.0um min plated	∅2.48*4.0
2	Pogo Pin	2pcs	C3604	Gold 0.125um min plated over 1.25~3.0um Nickel	∅1.5*6.0
1	Housing	1pcs	nylon,Color: WHITE	.....	.....
Item	Part Name	Q'TY	Material	Finish	Remarks

\*UNLESS OTHERWISE STATED ALL DIMENSIONS ARE IN MILLIMETRES  
 LINEAR TOLERANCE:  
 X:±0.20 .X±0.15 .XX±0.10  
 X\*.±2° .X\*±0.5°  
 Pomagtor  
 Website:www.pomagtor.net

**POMAGTOR**  
 POGO PIN - 16 YEARS OF PROFESSIONAL  
 Magnetic connection-professional for customization

TITLE	Magnetic Cable	REV	A0	DRAWN BY	CHECKED BY	APPROVED BY
SPEC	USB TO JP 2PIN/M white L=1m	SCALE	1	ZQ		
PART NO	HY91.00419-007	UNIT	mm			
VEIW ANGLE		DATE	21/10/25			
		SHEET	1 of 1			



**POMAGTOR**  
磁性连接—专业为您定制

深圳市泰科汉泽精密电子有限公司  
**Pomagtor Precision Electronics**

变更记录	变更描述	原因	设计者	日期	型号	规格	版本
1	无	说明	巧云	2017.03.02	CQ2PIN磁性连接器	12.1-5.1	A1
2	无	说明	巧云	2017.03.03	未标准尺寸公差 $\pm 0.15$	MM	比例
3	无	说明	巧云	2017.03.04	未标注角度公差 $\pm 1^\circ$	MM	1:1