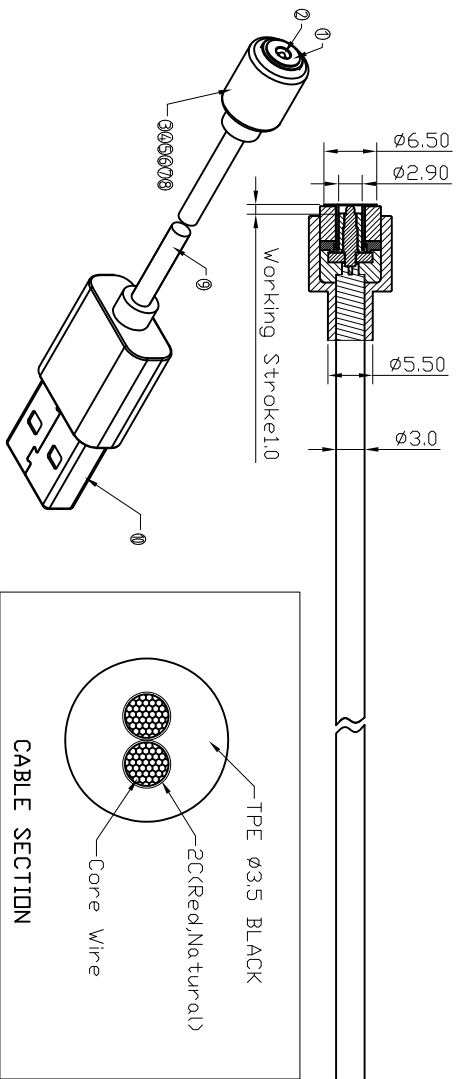
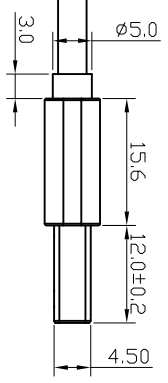
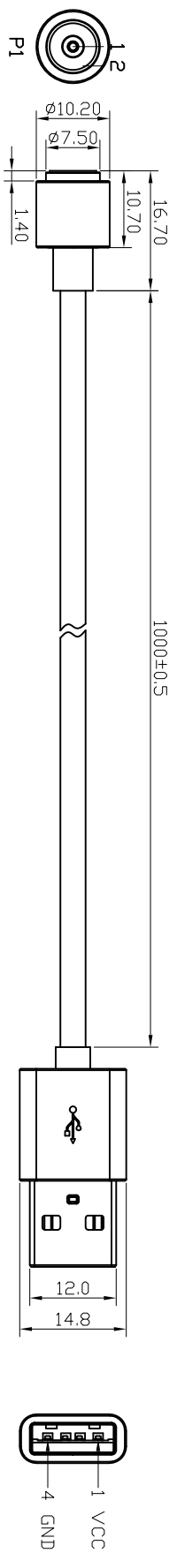


REV	ECN NO.	DETAILS	BY	DATE
1				
2				
3				



Item	Part Name	Q'TY	Material	Finish	Remarks
10	USB2.0 Plug	8g	PBT White+Brass+SPCC	Pin gold plating G / F	.....
9	Wire rod	1.2m	TPE Black (60/0.10TC)J2C	.....	Ø3.5
8	External Molding Plastic	8g	TPE 90A Material Color: black	.....	.....
7	Internal Molding Plastic	8g	PE Raw Material Color: Transparent	.....	.....
6	PCB	1pcs	FR-4 5V 3A	Lead free tin spraying	.....
5	Rubber compound	3g	PA9T	.....	Black
4	Back shell	1pcs	HB59-1	Nickel 50um min plated	Ø7.5*1.4
3	Magnet	1pcs	NS2	Nickel 30um min plated	Ø7.5*4.3
2	Pogo Pin	1pcs	Leaded Brass	Gold 0.075um min plated over 1.25~3.0um Nickel	Ø2.0*7.5
1	Front shell	1pcs	SUS316L	.....	Ø6.5*5.6

**Skills Requirement:**

- 1.0 a. 100% Open/Short test.
- b. I<sub>N</sub>-resistance: 3Ω (max).
- c. Insulation Resistance: 300V/DC 10MΩ (min).

**2.0 Electrical Characteristics:**

- 1) Rated Voltage (PIN Contact): 5Volts.
- 2) Rated Current (PIN Contact): 3A.
- 3) Insulation Resistance: 100MΩ min.
- 4) Dielectric Withstand Voltage: 100V AT 60HZ.
- 5) Contact Resistance: 30mΩ Max.

**Before Test And 60mΩMax. After Test:**

- 6) Press Stroke 0.8mm (Per Contact): 60gFMax.
- 7) Press stroke 0.8mm, 10,000 times Min.
3. Salt Spray Test: 5% Salt Spray Concentration, Temperature 35°C, Test Time 48 Hours, No Corrosion.
4. Working Temperature Range: -30~+85°C.
5. Electroplate 1um=40u"

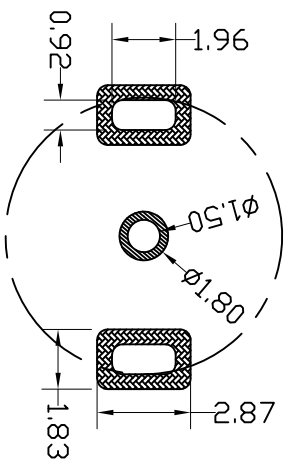
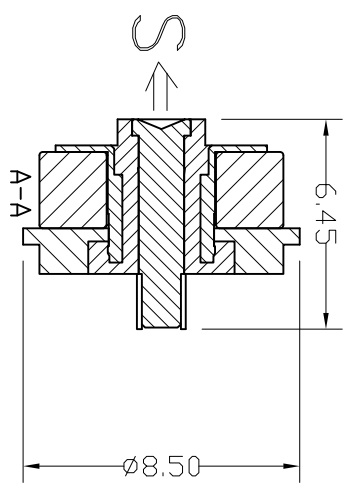
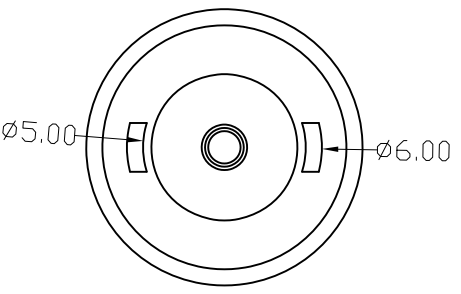
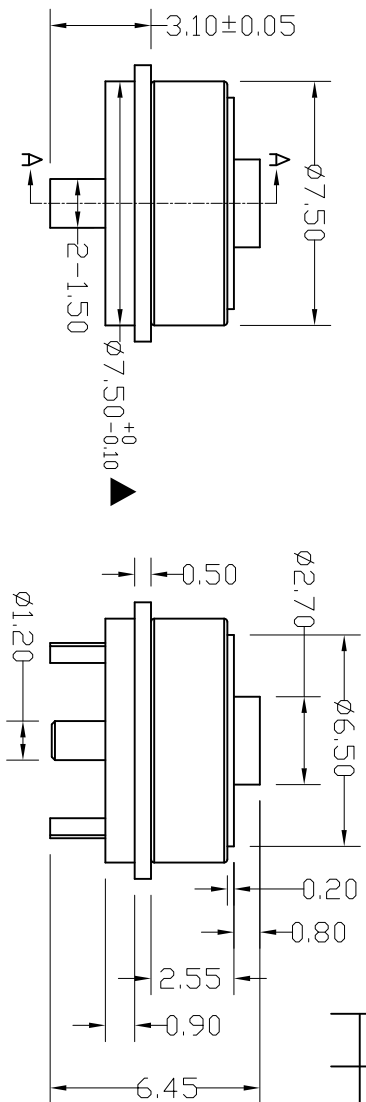
\*UNLESS OTHERWISE STATED  
ALL DIMENSIONS ARE IN  
MILLIMETRES  
LINEAR TOLERANCE:  
X:±0.20, Y:±0.15, XX:±0.10  
X\*:±2°, X\*:±0.5°\*\*  
Pomagtor  
Website: www.pomagtor.net

**POMAGTOR**  
POGO PIN - 16 YEARS OF PROFESSIONAL  
Magnetic connection - professional for customization

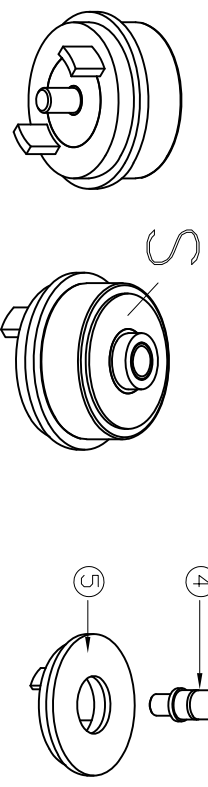
TITLE	REV	SCALE	UNIT	DATE	BY	CHECKED	APPROVED
Round magnetic connection line	A0	1	mm	21/03/19	HJH	HXH	QS.G
PART NO	RD91.HHJ0210320-001						
VEIW ANGLE							
Website: www.pomagtor.net				SHEET 1 of 1			

REV	ECN NO.	DETAILS	BY	DATE
1				
2				
3				

- NOTES:
- 1.0 Rated voltage(Per Contact):5 Volts
  - 2.0 Rated Current(Per Contact):3A maximum
  - 3.0 Working Temperature Range: -30~85℃
  - 4.0 "▲"For key control dimensions.
  - 5.0 1um ≈40u"



PCB LAYOUT  
Layout Tolerance:±0.05mm



Item	Part Name	Q'TY	Material	Finish	Remarks
1	Front shell	1pcs	SUS316L	.....	ø6.5*3.60
2	Magnet	1pcs	N52	Nickel 30um min plated	ø7.5*2.35
3	Rubber compound	3g	PA9T	.....	Black
4	Pin	1pcs	Leaded Brass	Gold 0.075um min plated over 1.25~3.0um Nickel	ø1.8*6.40
5	Back shell	1pcs	HBI59-1	Nickel 5.0um min plated	ø8.5*3.10

\*UNLESS OTHERWISE STATED ALL DIMENSIONS ARE IN MILLIMETRES  
LINEAR TOLERANCE:  
X:±0.20, X±0.15, XX±0.10  
X°:±2°, X°±0.5°  
Website:www.pomagtor.net

**POMAGTOR**  
POGO PIN - 16 YEARS OF PROFESSIONAL  
Magnetic connection-professional for customization

TITLE	Circular magnetic connector	REV	A0	DRAWN	CHECKED	APPROVED
SPEC	7.5mm-2PIN-1 /F	SCALE	1	BY	BY	BY
PART NO	RD91.HHJ0210320-002	UNIT	mm			
VIEW ANGLE		DATE	21/03/19	HJH	HXH	QS.G
		SHEET	1 of 1			