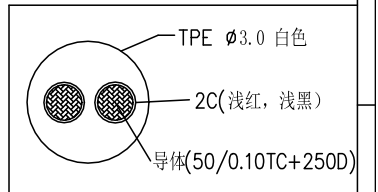


Item	change note	reason	design	date
0	-	-	0	-
1	-	-	0	-
2	-	-	0	-

NOTES:

- 1.0 PLATING:
 - 1) Power pin :HBI59-1.5,Au5u*over 50-120u*Ni;
 - 2) Housing:PA46, black
 - 3) Magnet:N52
- 2.0 Rated voltage(Per Contact):12Volts;
- 3.0 Rated Current(Per Contact):2A ;
- 4.0 Insulation Resistance: 100MΩ minimum;
- 5.0 Dielectric Withstanding Voltage:100V at 60HZ;
- 6.0 Contact Resistance: 30mΩ maximum
before test and 60mΩ maximum after test at pogopin working stroke;
- 7.0 Recommended Working Stroke&Force:
 - 1) Stroke 1.1mm(Per Contact):80±20gf;
- 8.0 Mechanical life: 10,000 Cycles Min;
- 9.0 Bending test: Weight200g,±60° 30Cycles/Min 2000Cycles;
- 10.0 Working Temperature Range: -30~85℃;
- 11.0 Magnet Gausse value:2300±200GS,Magnet force:500±50gf.

接线图



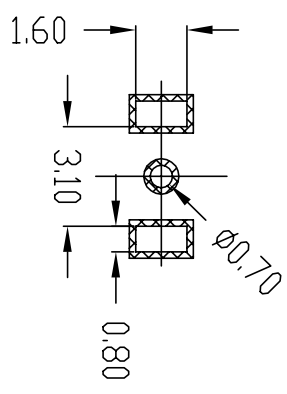
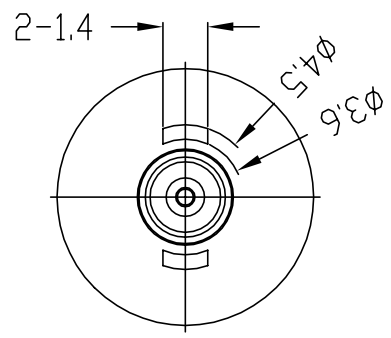
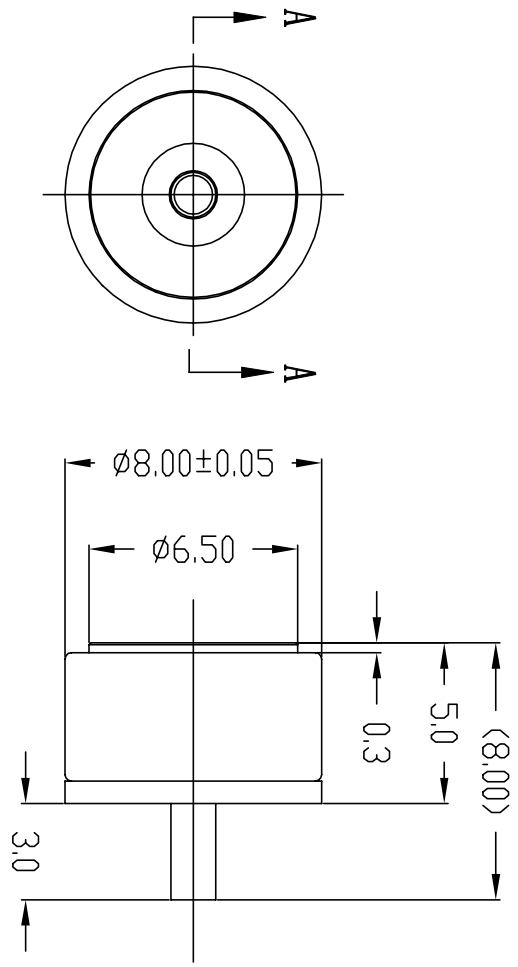
Item	Part No.	QTY	UNIT
5	-	1	PCS
4	-	1	PCS
3	-	0.01	kg
2	-	0.008	kg
1	HY75.00573-002	1.85	M

Description		KR-2PIN磁吸线 外被TPE 白色 长1.8M			version	scale	unit
P/N	*	A1	1:1	mm			
	unspec. tolerance	x.±0.20	.x±0.15	.xx±0.10	draw/date	沈伟铭	2021.04.19
		x'.±2'	.x'±0.5'		check/date	-	-

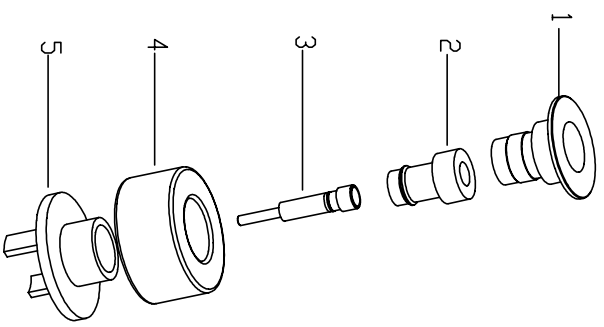
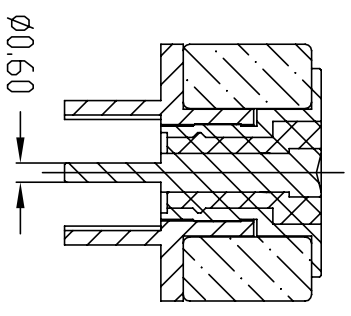
深圳市泰科汉洋精密电子有限公司
Pomagtor Precision Electronics

料号审核:

序号	变更描述	原因	设计	日期
0	-	-	0	-
1	-	-	0	-
2	-	-	0	-



PCB LAYOUT
TOLERANCE: ±0.05



- NOTES:
- 1.0 PLATING:
- 1) Power pin :H59, Au5u" over 50-120u" Ni;
 - 2) Housing: PA46, black
 - 3) Magnet: N52
- 2.0 Rated voltage(Per Contact):12Volts;
 - 3.0 Rated Current(Per Contact):2A ;
 - 4.0 Insulation Resistance: 100MΩ minmum;
 - 5.0 Dielectric Withstanding Voltage:100V at 60HZ;
 - 6.0 Contact Resistance: 30mΩ maximum before test and 60mΩ maximum after test at pogo pin working stroke;
 - 7.0 Recommended Working Stroke&Force:
 - 8.0 Mechanical Life: 10,000 Cycles Min;
 - 9.0 Working Temperature Range: -30~85°C.
 - 10.0 Magnet Gause value:2400±200GS.

序号	料号	物料名称	用量	单位
5	RD75.SMM0201211-002	电接头	1	PCS
4	HY770.080040000-01	磁铁	1	PCS
3	RD91.SMM0201211-002	插针	1	PCS
2	RD90.SMM0201211-001	弹性注塑件 PA46黑色	0.003	kg
1	RD75.CM0201028-02	弹性注塑件 PA46黑色	1	PCS

POMAGTOR
磁性连接—专业为您定制

深圳市泰科汉泽精密电子有限公司
Pomagtor Precision Electronics

描述	料号	版本	比例	单位
RD270电接头磁铁插针磁铁 弹性注塑件 PA46黑色 PMS 2S	HY911.MF02050325-01	A1	1:1	mm
未标注公差	x.±0.20	x.±0.15	.xx±0.10	绘图/日期
	x.±2°	x.±0.5°		审核/日期