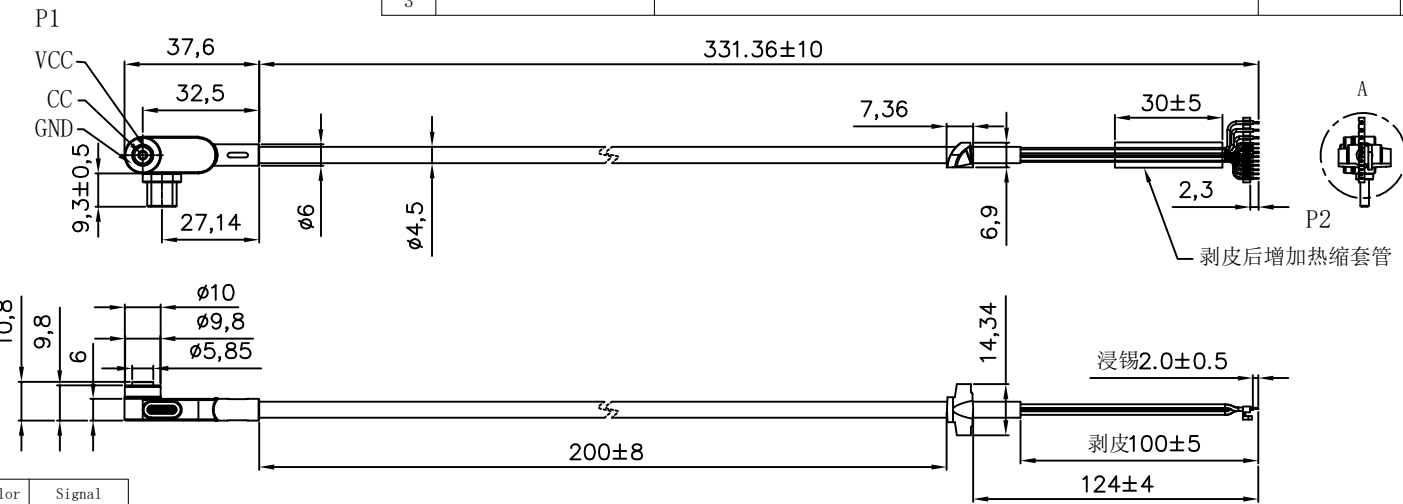
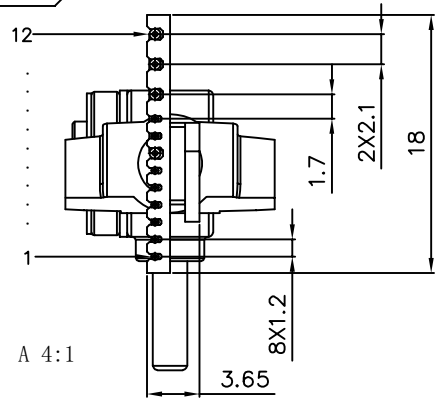
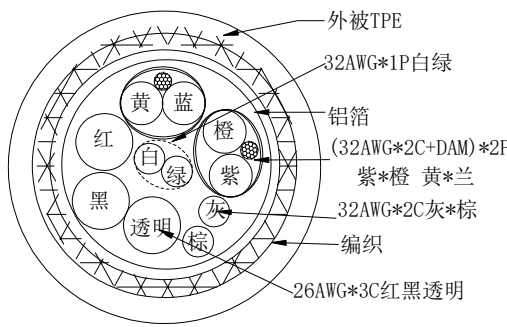


REV	ECN NO.	DETAILS	BY	DATE
1	A0	铜壳与插针镀层更新为镀钯金3u” 其他不变	LZH	2022/10/10
2	A1	取消电容10nF±20% 其他不变	LZH	2022/10/28
3				



Signal	P1	P2	AWG	Color	Signal
A1 Pin	A1	1	32	棕色	A1 Pin
D-	A7	2	32	白色	D-
D+	A6	3	32	绿色	D+
CC连接器	CC	4	32	灰色	CC
RX1-	B10	5	32	蓝色	TX1-
RX1+	B11	6	32	黄色	TX1+
GND	B1, A12, B12	7	26	编织	shield
TX1-	A3	8	32	紫色	RX1-
TX1+	A2	9	32	橙色	RX1+
CC	A5				
PWR	A4, B4, A9, B9	10	26	红色	PWR
GND连接器	GND	11	26	黑色	GND
VCC连接器	VCC	12	26	透明	VCC



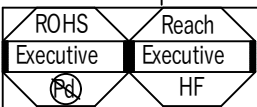
- 技术要求:
- 1.0 a.100% 开路/短路测试.
b. 导通阻抗: 3 Ω (Max.).
c. 绝缘阻抗: 300V/DC 10MΩ (min).
 - 2.0 电气性能:
1) 额定电压 (PIN 接触): 5Volts.
2) 额定电流 (PIN 接触): 3A.
3) 耐压测试: 100V AT 60Hz.
 - 3.0 盐雾测试: 5%盐雾浓度, 温度35°C, 测试时间48H, 无氧化生锈.
 - 4.0 摇摆测试: 吊重500g, ±60°, 30次/分钟, 6000次导通无不良
 - 5.0 插拔测试: 将测试插头和设备母座对准, 手动插拔检查是否顺畅, 然后设置插拔参数, 记录前后插拔力, 速度: 500次/小时
C口测试次数: 10000次. A口测试次数: 3000次.
测试前: 插入力: 8N-25N; 拔出力: 大于8N小于30N
测试后: 插入力: 6N-20N; 拔出力: 大于6N小于20N
 - 5.0 工作温度范围: -40 ~+85°C.
 - 6.0 使用过程中请勿将磁吸头长期短路.

14	热缩套管	-	-	-	1pcs	-
13	PCB	FR-4	-	-	1pcs	-
12	TYPE-C	-	-	-	1pcs	-
11	磁铁	N52	镀镍 过48小时盐雾	-	1pcs	-
10	插针	HBI59-1.5	无铅铜 镀镍50-120u” 镀钯金3u”	-	1pcs	-
9	电极环	H59	无铅铜 镀镍 过48小时盐雾	-	1pcs	-
8	铜壳2	H59	无铅铜 镀镍50-120u” 镀钯金3u”	-	1pcs	-
7	铜壳1	H59	无铅铜 镀镍50-120u” 镀钯金3u”	-	1pcs	-
6	支架	PA9T 白色	(色号: 2008081) 防火 HF+RoHS2. 0+REACH	-	1pcs	-
5	线卡	PA9T 黑色	-	-	2pcs	-
4	SR	TPE 白色	(色号: 2008081) 防火 HF+RoHS2. 0+REACH	-	1pcs	-
3	外模	TPE 白色	(色号: 2008081) 防火 HF+RoHS2. 0+REACH	-	1pcs	-
2	内模	PE 本色	HF+RoHS2. 0+REACH	-	1pcs	-
1	线材	TPE 白色	(色号: 2008081) 防火 HF+RoHS2. 0+REACH	-	0.4M	OD:φ4.5
序号	名称	材质	描述	用量	备注	

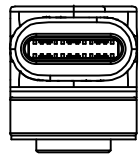
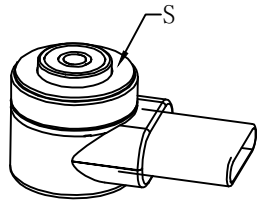
*UNLESS OTHERWISE STATED
ALL DIMENSIONS ARE IN
MILLIMETRES
LINEAR TOLERANCE:
X,±0.20 .X±0.15 .XX±0.10
X°,±2° .X°±0.5°
Pomagtor
Website:www.pomagtor.net



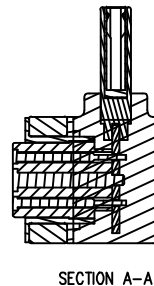
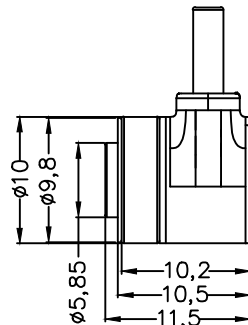
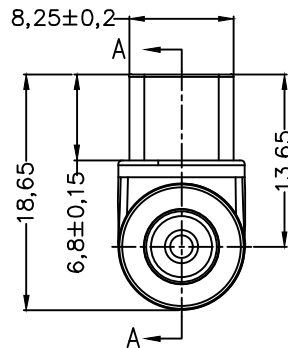
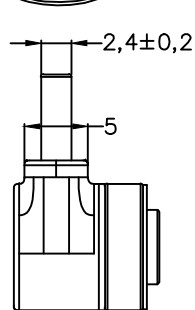
ITEM	磁吸线	REV	A1	DRAWN BY	CHECKED BY	APPROVED BY
S/N.	-	SCALE	1	LZH		
RD. S/N.	RD90.LZH0220723-001	UNIT	mm			
VEIW ANGLE		DATE	2022/10/28			
		SHEET	1 of 1			



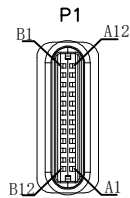
REV	ECN NO.	DETAILS	BY	DATE
1	A0	new version release	LZH	2022/08/10
2	A1	铜壳与插针镀层更新为镀钯金3u” 增加选型表, 其他不变	LZH	2022/10/11
3				



NOTES:
 1.0 Rated voltage: 5 Volts
 2.0 Rated Current: 3 A maximum
 3.0 Contact Resistance: 50mΩ maximum
 4.0 Salt Spray: 48H Min
 5.0 Working Temperature Range: -40~85°C
 6.0 Marked with “*” as key dimension
 7.0 The product must conform to the latest RoHS CP65

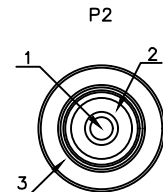


A1	A2	A3	A4	A5	A6	A7	A8	A9	A10	A11	A12
GND	TX1+	TX1-	VCC	CC1	D+	D-	SUB1	VCC	RX2-	RX2+	GND
B12	B11	B10	B9	B8	B7	B6	B5	B4	B3	B2	B1
GND	RX1+	RX1-	VCC	SUB2	D+	D-	NC	VCC	TX2-	TX2+	GND

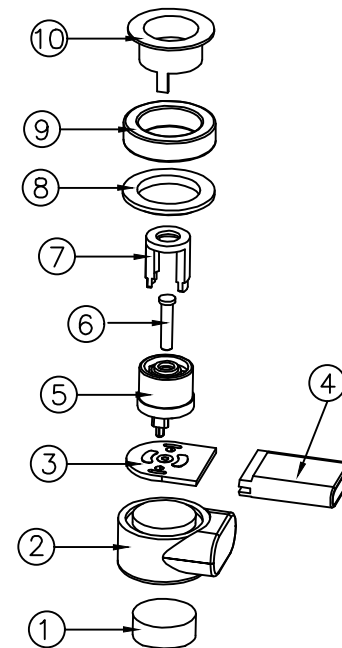


Connection method

	P1	P2
A5 CC1	1	
A4, B9, A9, B4 VCC	2	
A1, B12, A12, B1 GND	3	



Material code	Product color
RD90.LZH0220704-001	White
RD90.LZH0220816-002	Black
RD90.LZH0220816-003	light grey



10	electrode ring	H59	Ni1.5~3.0um+Pd 0.075um	1pcs	-
9	Magnet	N52	Nickel plated after 48 hours of salt spray	1pcs	-
8	Press ring	H59	Nickel plated after 48 hours of salt spray	1pcs	-
7	electrode ring	H59	Ni1.5~3.0um+Pd 0.075um	1pcs	-
6	pin	HBI59-1.5	Ni1.5~3.0um+Pd 0.075um	1pcs	-
5	Housing	PA9T White	Fire rating: UL94V-0	1pcs	-
4	TYPE-C plug	-	-	1pcs	-
3	PCB	FR-4	-	1pcs	-
2	External Molding Plastic	TPE 90A White	Fire rating: UL94V-0	1pcs	-
1	Internal Molding Plastic	PE Raw Material Color: Transparent	-	1pcs	-
Item	Part Name	Material	Finish	Q'TY	Remarks

*UNLESS OTHERWISE STATED ALL DIMENSIONS ARE IN MILLIMETRES
 LINEAR TOLERANCE:
 X:±0.20 .X±0.15 .XX±0.10
 X*:±2° .X*±0.5°*
 Pomagtor
 Website:www.pomagtor.net

POMAGTOR
 PROFESSIONAL CUSTOMIZATION SINCE 2007
 HIGH FREQUENCY POGO PIN MAGNETIC CONNECTOR

ITEM	Magnetic connector	REV	A0	DRAWN BY	CHECKED BY	APPROVED BY
S/N.	-	SCALE	1	LZH		
RD.S/N.	RD90.LZH0220704-001	UNIT	mm			
VEIW ANGLE		DATE	2022/10/11			
		SHEET	1 of 1			