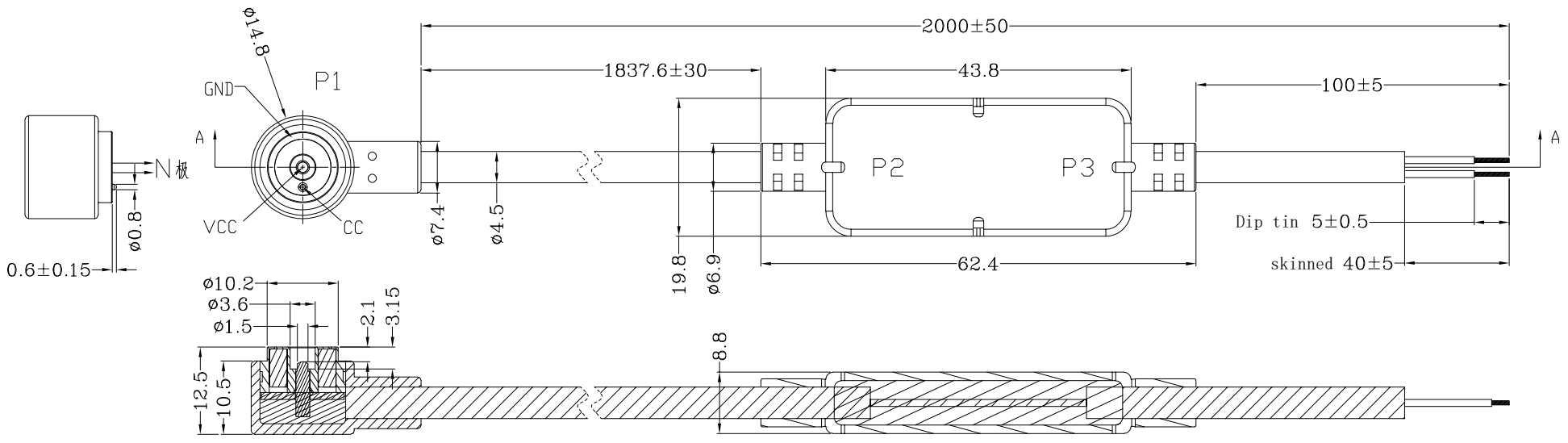


客户图号 GPM-301

REV	ECN NO.	DETAILS	BY	DATE
1	A3	尾部接线更新为18AWG两芯线, BOM增加18AWG两芯线, 磁铁加厚增加磁力, 其他不变	LZH	2022/11/21
2	A4	线材尾部剥线长度更新为40mm±5	LZH	2023/01/05
3	A5	1.材质修改, 弹针改选SUS316L复合板, 电源弹针材质改为钛合金TC4 覆铜; 2. PCB板加ESD, 满足4000/8000V; 3.信号PIN减短0.55mm, 中心PIN外形整体加长2.0mm; 4.尾端绝缘长度改为3mm	LZH	2023/02/10



SECTION A-A

Wiring Table

	P1	P2	P3	
VCC	Red	⊗ +VCC	VCC+	Red
CC	White	⊗ CC		
GND	black	⊗ GND	GND	black

Technical Specification:

- 100% break/short test.
  - On-resistance: 0.3Ω (max).
  - Insulation resistance: 300V/DC 10MΩ(min).
- Swing test: 200g lifting weight, ±60 degrees 30 times/min, 2000 times conduction OK.
- Rated voltage (PIN contact): 36 Volts
- Rated current (PIN contact): 7 A maximum
- Working elastic single PIN:
  - Press stroke 0.8mm (PIN contact): 60gfMax
- Life test:
  - Press stroke 0.8mm, 10,000 times (Min)
- The magnetic attraction force after suction is 750~800g above
- The arc extinguishing circuit is on the magnetic head
- Operating temperature range: -40~85℃
- 10.0 is marked with "\*" as a key dimension.

9	overmolded plastic	TPE 90A Black	-	2pcs	-
8	Internal molding compound	LD-PE transparent	-	2pcs	-
7	enclosure	H59	Ni2.5um+Pd0.075um Acid salt spray 24 hours	1pcs	-
6	PCB	FR-4	PCB板加ESD, 满足4000/8000V;	2pcs	-
5	magnet	N52	Nickel plated acid salt spray 24 hours	1pcs	-
4	pogopin	针头: 钛合金TC4 针管: SUS316L	∅2.4*7.9POGOPIN 针管: 镀镍50-120u" + 镀三元合金150u" + 镀钌金5u" + 镀铂金15u" Acid salt spray 24 hours	1pcs	-
		SUS316L	∅1.7*8.6POGOPIN 镀镍50-120u" + 镀三元合金150u" + 镀钌金5u" + 镀铂金15u" Acid salt spray 24 hours	1pcs	-
3	Housing	LCP Black	-	1pcs	-
2	Wire rod	TPE Black	18AWG*2C(Red,black)	0.12M	∅D4.5
1	Wire rod	TPE Black	18AWG*2C(Red,black)+30AWG*1C(White)	1.87M	∅D4.5
Item	Part Name	Material	Finish	Q'TY	Remarks

\*UNLESS OTHERWISE STATED ALL DIMENSIONS ARE IN MILLIMETRES  
 LINEAR TOLERANCE:  
 X:±0.20 .X±0.15 .XX±0.10  
 X\*:±2° .X\*±0.5°  
 Pomagtor  
 Website:www.pomagtor.net

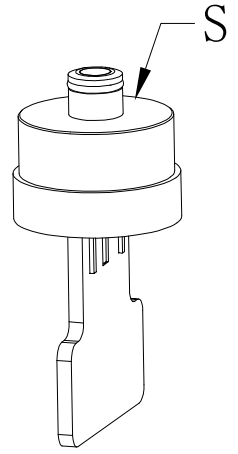
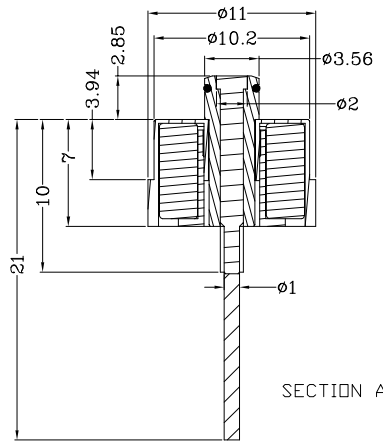
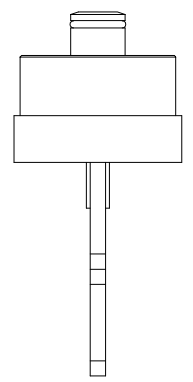
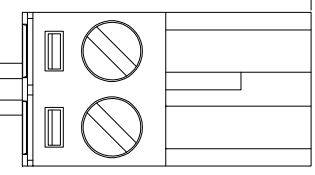
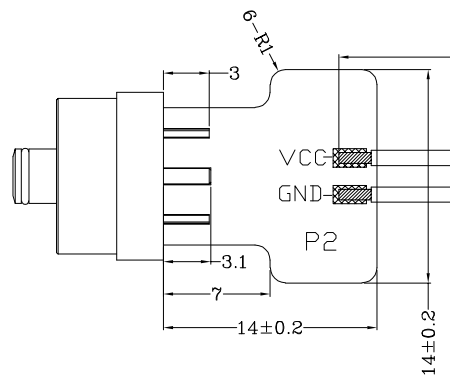
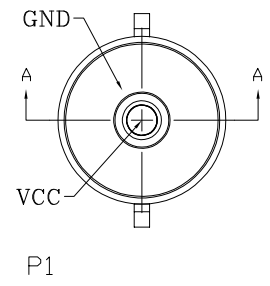


ITEM	10mm/2P/M圆形水杯磁吸线侧出	REV	A5	DRAWN BY	CHECKED BY	APPROVED BY
S/N.	-	SCALE	1	LZH		
R.D.S/N.	RD90.LZH0220823-005	UNIT	mm			
VEIW ANGLE		DATE	2023/02/10			
		SHEET	1 of 1			

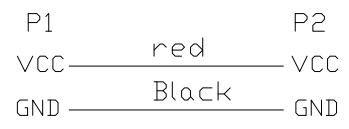
ROHS Executive  
Reach Executive  
HF

客户图号 GPM-309

REV	ECN NO.	DETAILS	BY	DATE
1	A4	PCB长度在6mm更新为7mm, PCB总长不变, 取消线材尾部0型端子和热缩套管, 母座连接器以加厚增加磁力, 其他不变	LZH	2022/11/21
2	A5	线材尾部恢复0型端子连接	LZH	2023/01/05
3	A6	1.线材改为550mm; 2.端子更新为凤凰端子; 3.PCB板加ESD, 满足4000/8000V; 4.材质修改 插针材质改为钛合金TC4素材; 5.中心PIN外形整体相应公座加高2.0mm并增加防水圈	LZH	2023/02/10



CONNECT DIAGRAM



- NOTES:
- 1.0 Rated voltage: 36 Volts
  - 2.0 Rated Current: 7 A maximum
  - 3.0 Contact Resistance: 50mΩ maximum
  - 4.0 Acid salt spray 24 hours
  - 5.0 The magnetic attraction force after suction is 750~800g above
  - 6.0 Working Temperature Range: -40~85°C
  - 7.0 Marked with "\*" as key dimension
  - 8.0 The product must conform to the latest RoHS

10	Waterproof rubber ring	Silica gel	-	1pcs	-
9	terminal block	-	KF2EDGK-5.0/5.08-2P	1pcs	-
8	Wire rod	TPE red	18AWG*1C	0.55M	-
7	Wire rod	TPE Black	18AWG*1C	0.55M	-
6	PCB	FR-4	PCB板加ESD, 满足4000/8000V;	1pcs	-
5	outer casing	H59	Ni2.5um+Pd0.075um Acid salt spray 24 hours	1pcs	-
4	electrode ring	H59	Ni2.5um+Pd0.075um Acid salt spray 24 hours	1pcs	-
3	Magnet	N52	Nickel plated acid salt spray 24 hours	1pcs	-
2	pin	钛合金TC4	Acid salt spray 24 hours	1pcs	-
1	Housing	LCP Black	-	1pcs	-
Item	Part Name	Material	Finish	Q'TY	Remarks

\*UNLESS OTHERWISE STATED ALL DIMENSIONS ARE IN MILLIMETRES  
LINEAR TOLERANCE:  
X:±0.20 .X±0.15 .XX±0.10  
X\*:±2° .X\*±0.5°  
Pomagtor  
Website:www.pomagtor.net

**POMAGTOR**  
PROFESSIONAL CUSTOMIZATION SINCE 2007  
HIGH FREQUENCY POGO PIN .MAGNETIC CONNECTOR

ITEM	Magnetic attraction line	REV	A5	DRAWN BY	CHECKED BY	APPROVED BY
S/N.	-	SCALE	1	LZH		
RD.S/N.	RD90.LZH0220825-001	UNIT	mm			
VEIW ANGLE		DATE	2023/02/10			
		SHEET	1 of 1			