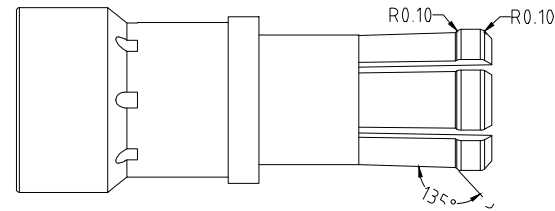
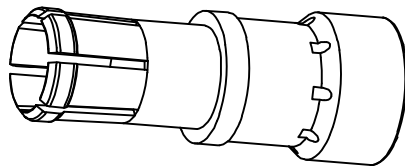
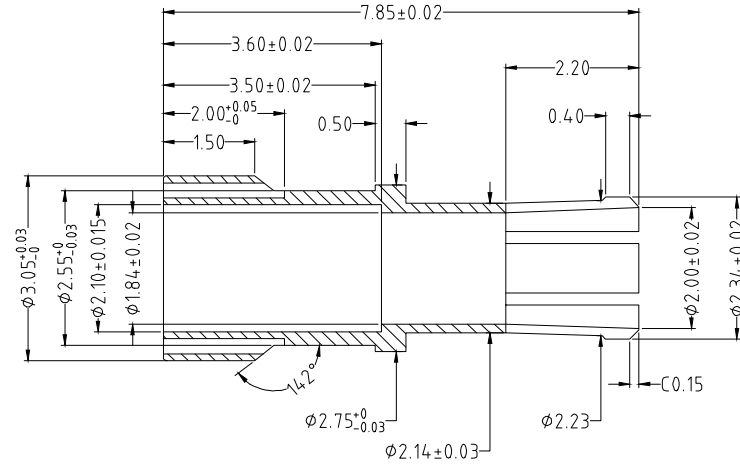
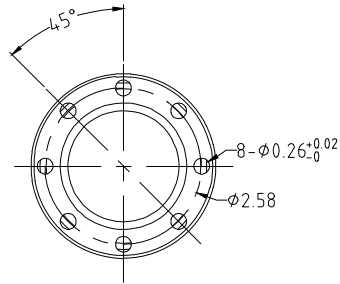


ROHS
Executive

REV	ECN NO.	DETAILS	BY	DATE
1	AO	new version release	LZH	2022.08.18
2				
3				



工艺要求:

- 1.0 材质: C3604 符合ROHS2.0要求
- 2.0 表面处理: 电镀Cu40-80u" Ni50-80u" Au50u" Min
- 3.0 产品不能有毛边, 刀纹, 刮伤等不良
- 4.0 盐雾试验96小时
- 5.0 标注*尺寸为重点管控

"UNLESS OTHERWISE STATED
ALL DIMENSIONS ARE IN
MILLIMETRES
LINEAR TOLERANCE:
X, ±0.20 .X±0.15 .XX±0.10
X*, ±2° .X*±0.5°"
Pomagtor
Website: www.pomagtor.net

POMAGTOR
POGO PIN - 16 YEARS OF PROFESSIONAL
Magnetic connector - professional for customization

TITLE	contact head	REV	AO	DRAWN BY	LZH	CHECKED BY		APPROVED BY	
SPEC	-	SCALE	1						
PART NO	-	UNIT	mm						
VEIW ANGLE		DATE	2022.08.18						
		SHEET	1 of 1						

Item	Part Name	Material	Finish	Q'TY	Remarks
1	contact head	C3604	Cu40-80u" Ni50-80u" Au50u" Min	1pcs	-